



DishDrawer®

USA & Canada

Models

DD603
DD603I
DD603M
DD603H
DD603IH
DD603HM
DD603FC
DD603MFC

DS603
DS603I
DS603M
DS603H
DS603IH
DS603HM
DS603FC
DS603MFC



Contents

1	Front Panels / Controls - Excluding flat door models	6
2	Front Panels / Controls - Flat door models	10
3	Cabinet	14
4	Lid and Link assembly	18
5	Tubs and Components	20
6	Baskets and Racks	24
7	Installation Components	26
8	Notes	30

Fisher & Paykel Appliances Inc
5900 Skylab Road
Huntington Beach
CA 92647
USA
Phones:
1 888 936 7872 (F&P)
1 888 396 2665 (DCS)

Products

Brand	Fisher & Paykel, DCS			
Voltage	110 V 60 Hz			
Model	Description	Code		
DD603	Double	88269	88270	88445
DD603I	Double, integrated	88271		
DD603H	Double, water softener	88429	88443	
DD603IH	Double, integrated, water softener	88425		
DD603M	Double, Iridium stainless	88431		
DD603HM	Double, water softener, Iridium stainless	88421		
DD603FC	Double, brushed stainless, flat door, curved handle	88449		
DD603MFC	Double, Iridium stainless, flat door, curved handle	88447		
DS603	Single	88272	88273	88412 88446
DS603I	Single, integrated	88274		
DS603H	Single, water softener	88430	88444	
DS603IH	Single, integrated, water softener	88426		
DS603M	Single, Iridium stainless	88432		
DS603HM	Single, water softener, Iridium stainless	88422		
DS603FC	Single, brushed stainless, flat door, curved handle	88450		
DS603MFC	Single, Iridium stainless, flat door, curved handle	88448		

Guide to using this manual

Models covered

The models covered by this manual are listed on the front cover. The codes listed on the products page are the variations within each model.

The front cover picture indicates the type of product. It may not be an exact image of the models covered in the manual.

Updates

As part of Fisher & Paykel's ongoing attention to quality, the information in this manual changes. Fisher & Paykel regularly publish updates to the parts manuals on the Cool Blue World website. The latest edition (shown by date and letter) replaces any earlier editions. New editions are advised in the Technical Bulletins.

Finding parts information

Model column

The letter codes in the 'Model' column indicate which model/s use the part being described. If there are no letters, then the part is common to all models.

Abbreviations used in model column

- C = curved handle
- D = designer handle
- DD = double DishDrawer®
- DS = single DishDrawer®
- F = flat door
- H = water softener feature
- I = integrated
- M = Iridium stainless steel

Key to parts information

<i>Parts in italics</i>	Indicates kit component parts that are available as separate items.
No part number given	Indicates kit component parts that are not available as separate items.
*	Indicates a Technical Bulletin or a note exists for the part The Notes section at the end of the manual gives the Technical Bulletin reference, or the note.
NI	Indicates the part is not illustrated on the diagram. Some items eg screws, are shown as NI under the part/s they are associated with.
NOT USED	Indicates the diagram part reference is not used in this manual.

Abbreviations used in part description column

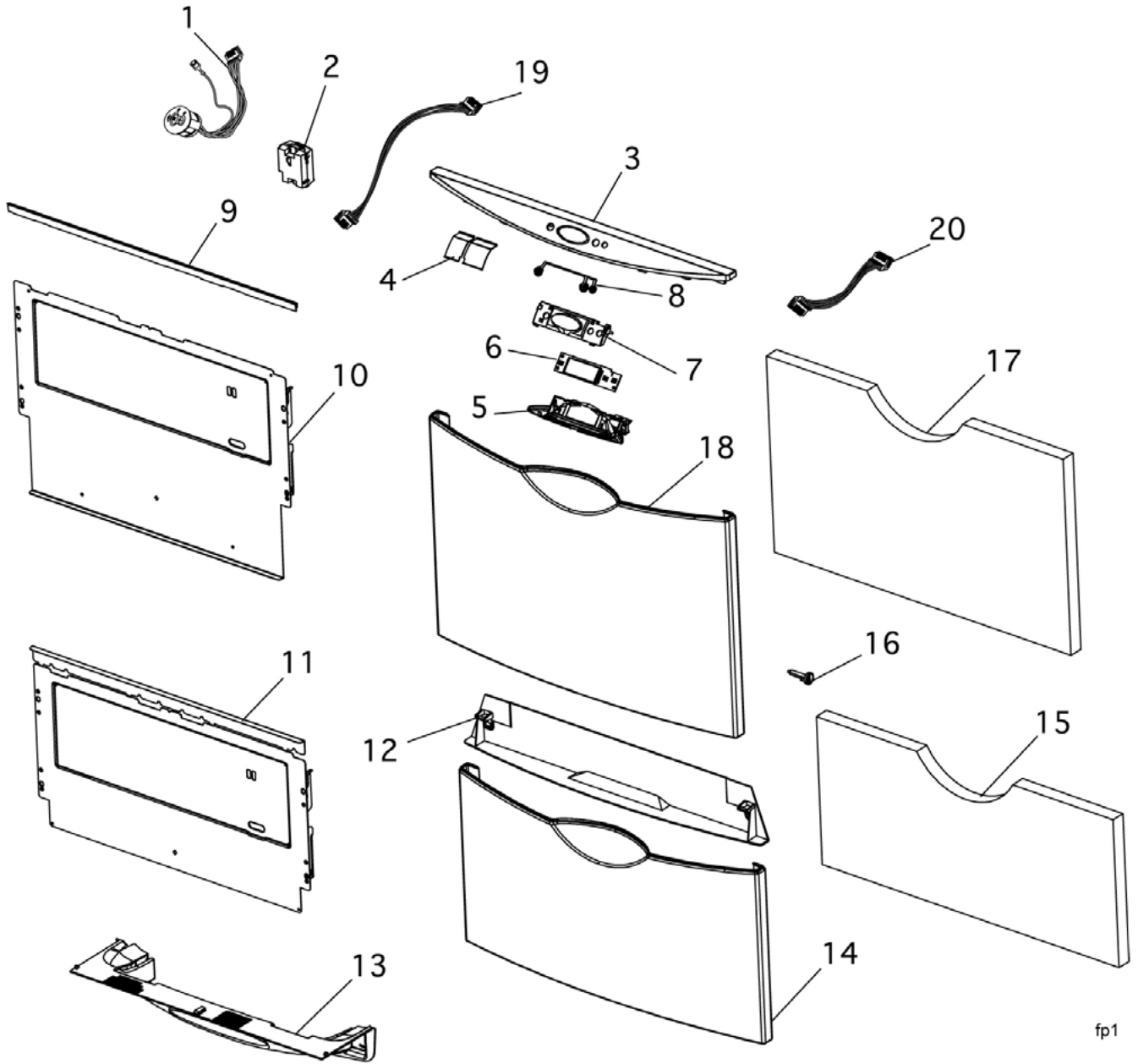
- SE = EZKleen brushed stainless steel
- SM = Iridium stainless steel
- SS = brushed stainless steel
- US = USA

Additional information

Fisher & Paykel regularly publish Technical Bulletins, which give more details on product changes. To read these bulletins, go to the Cool Blue World website on <http://cbw.fp.co.nz>

The Technical Bulletins relating to the parts in this manual are listed in the Notes section at the end of the manual.

1 FRONT PANELS / CONTROLS - EXCLUDING FLAT DOOR MODELS

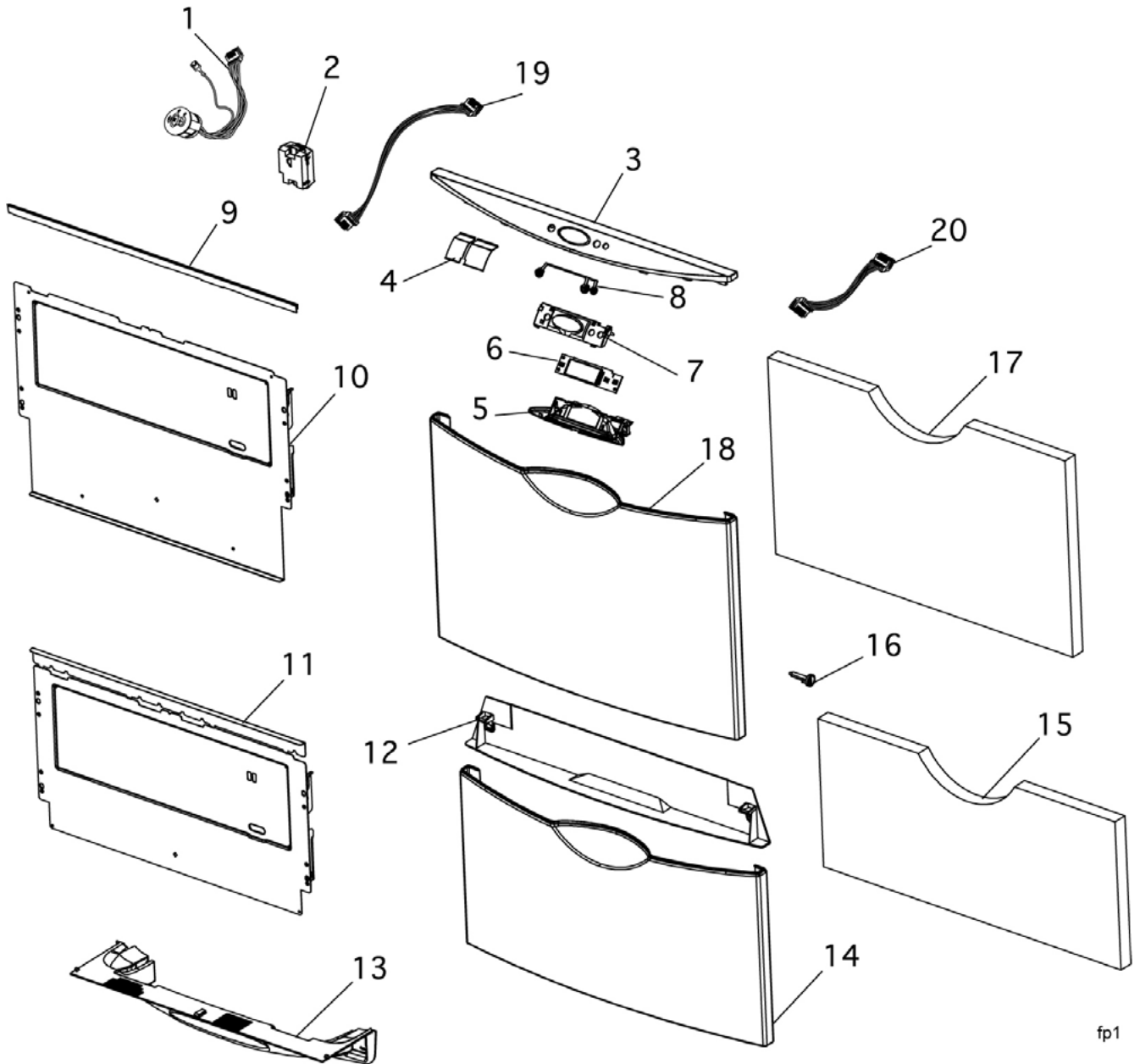


fp1

Front Panels / Controls - Excluding flat door models

Ref	Part	Description	Model
1	526618P	BADGE INT ASSY CHROME OVAL	I
	526637	COVER INT BADGE PH3 (CLIP)	
	526621	LIGHT PIPES INT BADGE PH3	
		HARNESS BADGE PH3.5	
		HOUSING INT BADGE PH3 CHROME	
		BUTTONS INT BADGE PH3 CHROME	
		ELECTRONICS BOARD INT PH3	
	526975P	BADGE INT ASSY RECT SATIN	I
	526637	COVER INT BADGE PH3 (CLIP)	
	526621	LIGHT PIPES INT BADGE PH3	
		HARNESS BADGE PH3.5	
		HOUSING INT BADGE RECT SATIN	
		BUTTONS INT BADGE PH3 SATIN	
		ELECTRONICS BOARD INT PH3	
NI	526637	COVER INT BADGE PH3 (CLIP)	I
NI	526621	LIGHT PIPES INT BADGE PH3	I
NI	* 526683	KIT INT BADGE OVAL BLACK	I
		HOUSING INT BADGE PH3 BLACK	
		BUTTONS INT BADGE PH3 BLACK	
NI	* 526684	KIT INT BADGE OVAL SATIN CHROME	I
NI	* 526685	KIT INT BADGE OVAL BRASS	I
NI	* 527156	KIT INT BADGE CHROME OVAL	I
NI	* 527157	KIT INT BADGE SATIN RECTANGULAR	I
NI	* 527276	KIT INT BADGE RECT CHROME	I
NI	* 527277	KIT INT BADGE RECT BRASS	I
2	527785P	BADGE ISOLATOR VERSION 2	I
3	* 526743	HANDLE LCD PREFINISH WH MLDG	
	* 526744	HANDLE LCD PREFINISH BK MLDG	
	* 526745	HANDLE LCD PREFINISH SS MLDG	
4	526627	SEAL LCD	
5	526211	HOUSING LCD BACK PH3	
6	* 528043P	LCD BOARD HEAT 3M PH3 – hours/minutes display	
	* 528044P	LCD BOARD HEAT 3M PH3.5 – minutes only display	
7	526212	HOUSING LCD FRONT PH3	

Front Panels / Controls - Excluding flat door models

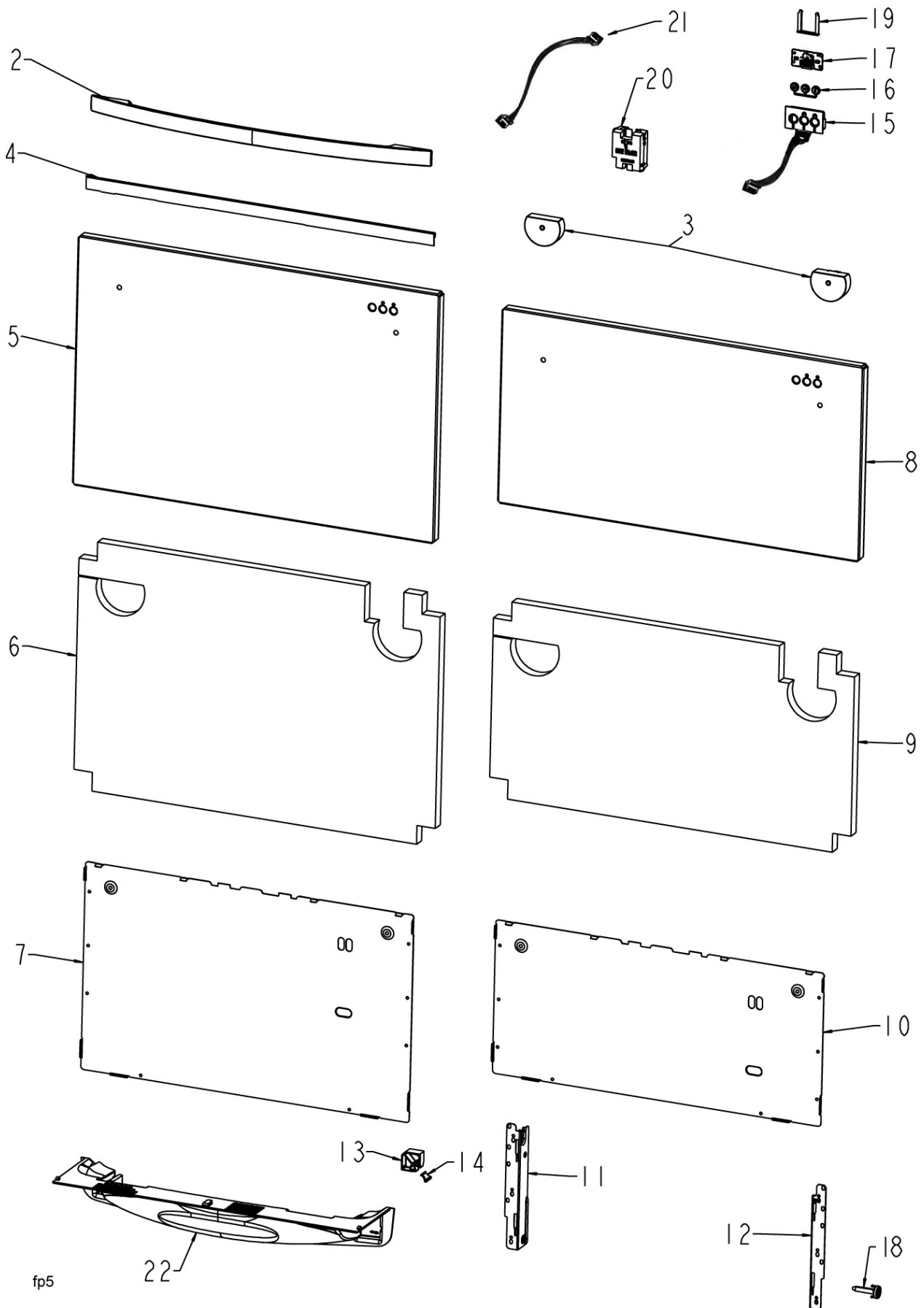


fp1

Front Panels / Controls - Excluding flat door models

Ref	Part	Description	Model
8	526221	BUTTONS CONTROL WHITE PH3	
	526453	BUTTONS CONTROL BLACK PH3	
	526454	BUTTONS CONTROL SS PH3	
9	* 527586	KIT INTEGRATED DOOR SEAL	I
10	526440P	KIT SHIELD INT DOOR UPR ASY BK	I
NI	556089P	SCREW WS 8X5/8TWINFAST (PKT10)	I
11	526441P	KIT SHIELD INT DOOR LWR ASY BK	DDI
NI	556089P	SCREW WS 8X5/8TWINFAST (PKT10)	DDI
12	527308	KIT DOOR INSERT	
	527178	INSERT DOOR LOWER	
	527179	INSERT DOOR UPPER	
13	525950	COWLING TUB	
14	* 526248P	DOOR LOWER ASSY SS US	DD
		DOOR LOWER SS US	
	527178	INSERT DOOR LOWER	
	526655	INSUL DOOR LOWER US	
	* 527851P	DOOR LOWER ASSY SE PH3 US	DD
	* 526934P	DOOR LOWER ASSY SM US	DDM
	* 526234P	DOOR LOWER ASSY WHITE US	DD
	* 526249P	DOOR LOWER ASSY BLACK US	DD
15	526655	INSUL DOOR LOWER US	DD
16	525010	PIN DOOR	
17	526653	INSUL DOOR UPPER	
18	* 526240P	DOOR UPPER ASSY SS FP US	
		DOOR UPPER PREFINISHED SS	
	526653	INSUL DOOR UPPER	
	527179	INSERT DOOR UPPER	
	* 527847P	DOOR UPPER ASSY SE FP PH3 US	
	* 526933P	DOOR UPPER ASSY SM FP US	M
	* 526239P	DOOR UPPER ASSY WHITE FP US	
	* 526238P	DOOR UPPER ASSY BLACK FP US	
19	526755	HARNESS BADGE ISOLATOR PH3.5	I
20	526753	HARNESS LCD	

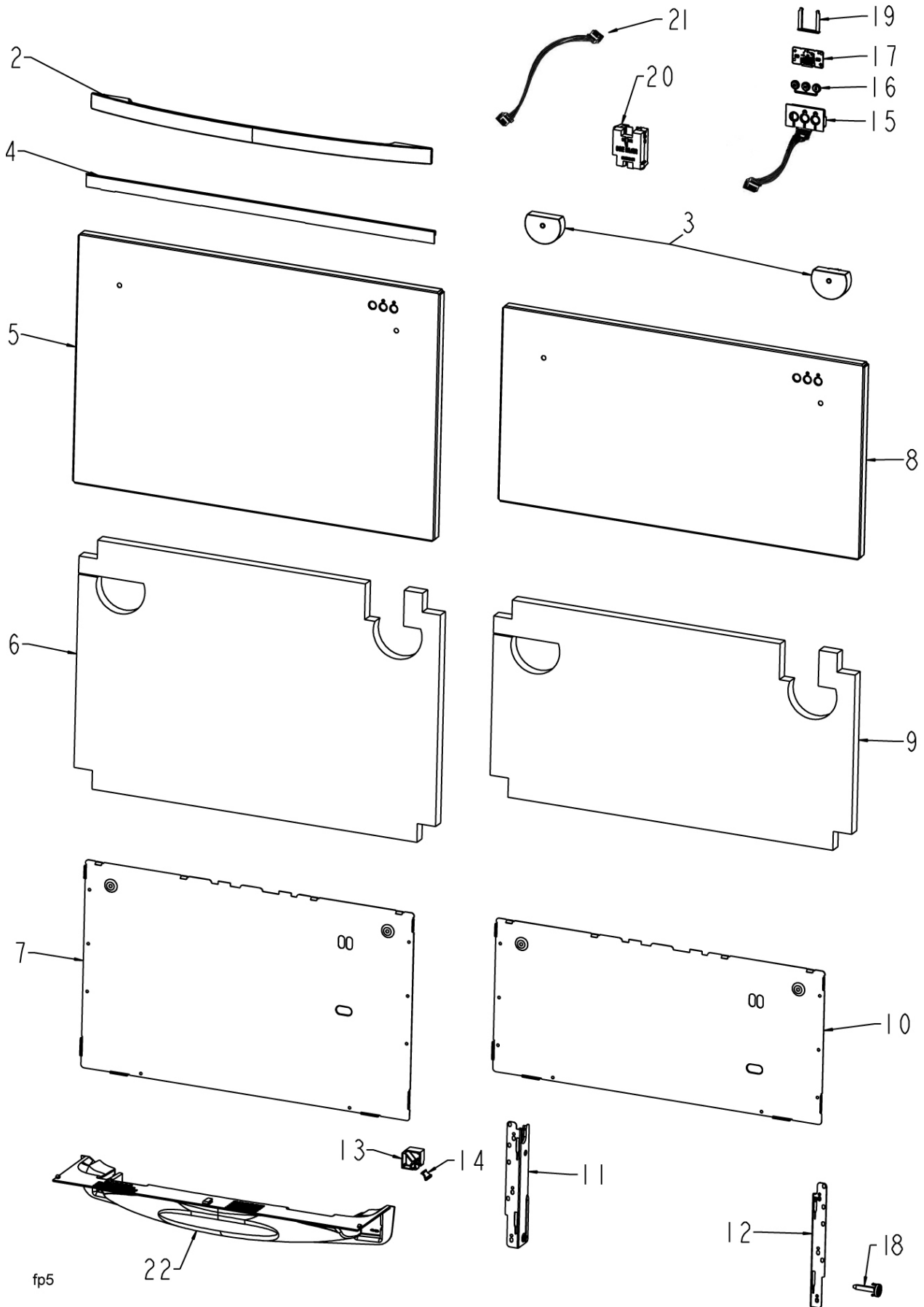
2 FRONT PANELS / CONTROLS - FLAT DOOR MODELS



Front Panels / Controls - Flat door models

Ref	Part	Description	Model
2	527646	HANDLE CURVED DD	FC, MFC
3	527677	SUPPORT HANDLE FLAT DOOR	
NI	556625P	SCREW MC M5X25 PN NIB PH (PKT2)	
4	* 527586	KIT INTEGRATED DOOR SEAL	
5	* 528083	DOOR FLAT UPR ASSY SM FP – US	MFC
	* 528085	DOOR FLAT UPR ASSY SE FP – US	FC
6	527431	DOOR FLAT INFILL UPPER	
7	527687	DOOR FLAT UPPER REAR	
NI	556009P	SCREW ST 8X3/8 TAB MSH PH (PKT10)	
8	* 528087	DOOR FLAT LOWER ASSY SM US	MFC
	* 528089	DOOR FLAT LOWER ASSY SE US	FC
9	527666	DOOR FLAT INFILL LOWER US	DD
10	527685	DOOR FLAT LOWER REAR US	DD
NI	556009P	SCREW ST 8X3/8 TAB MSH PH (PKT10)	
11	526394	BRACKET INTEGRATED SHIELD LH	
12	526395	BRACKET INTEGRATED SHIELD RH	
NI	556009P	SCREW ST 8X3/8 TAB MSH PH (PKT10)	
13	527678	CLIP CORNER FLAT DOOR	
14	527679	OUTER CORNER DOOR FLAT	
15	527427P	BADGE ASSY DESIGNER	
	528073	<i>HOUSING ASSY BADGE DESIGNER</i>	
		<i>HOUSING BADGE DESIGNER</i>	
		<i>LIGHT PIPES BADGE DESIGNER</i>	
		<i>TAPE BADGE DESIGNER</i>	
	527429	<i>BUTTONS BADGE DESIGNER</i>	
	527784P	<i>DESIGNER SERIES BADGE PCB ASSY</i>	
		<i>HARNESS BADGE PH3.5</i>	
	527691	<i>LOCKBAR BADGE DESIGNER SERIES</i>	

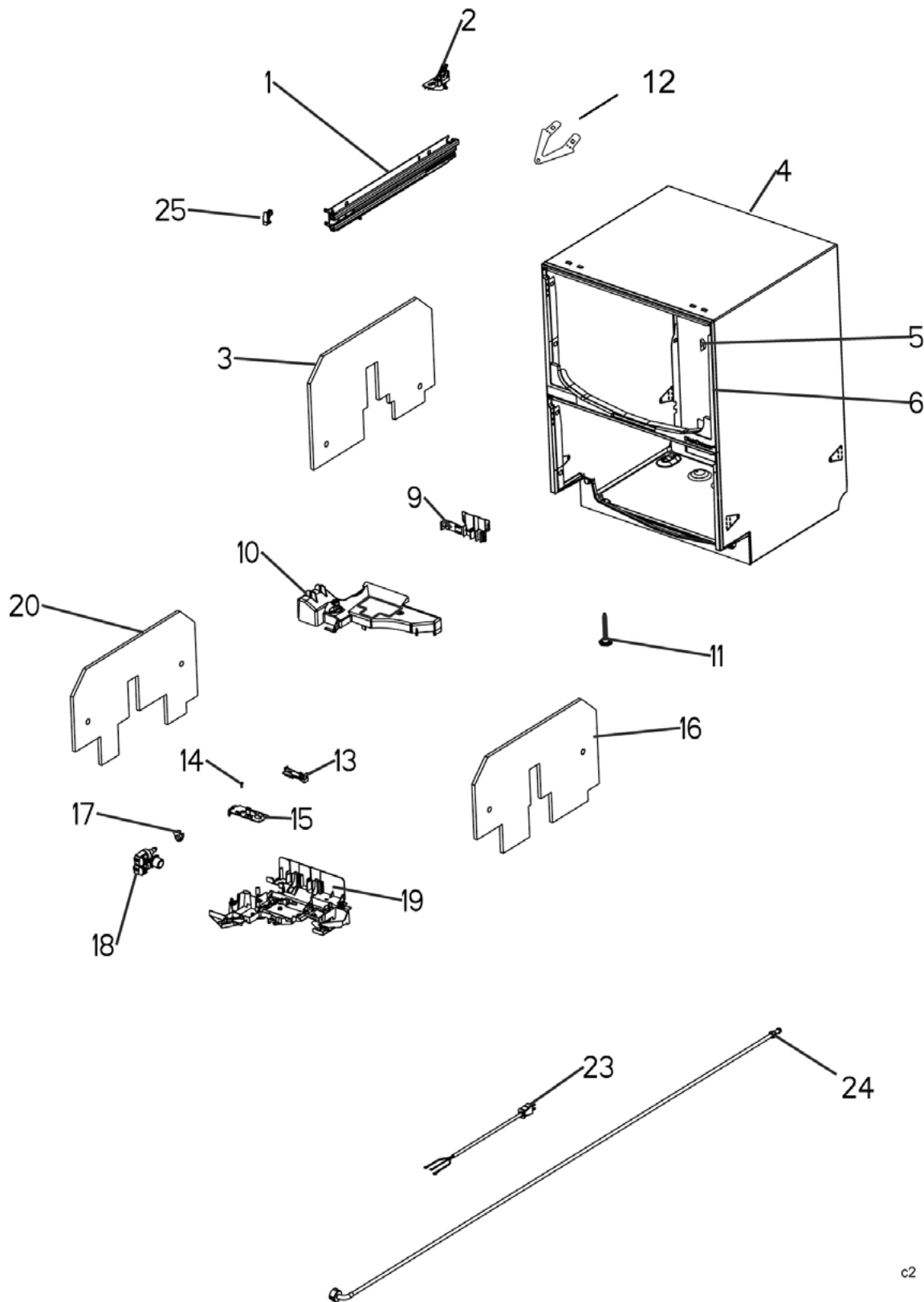
Front Panels / Controls - Flat door models



Front Panels / Controls - Flat door models

Ref	Part	Description	Model
16	527429	BUTTONS BADGE DESIGNER	
17	528762P	DESIGNER SERIES BADGE PCB ASSY	
18	525010	PIN DOOR	
19	527691	LOCKBAR BADGE DESIGNER SERIES	
20	527785P	BADGE ISOLATOR VERSION 2	
21	526755	HARNESS BADGE ISOLATOR PH3.5	
22	525950	COWLING TUB	

3 CABINET

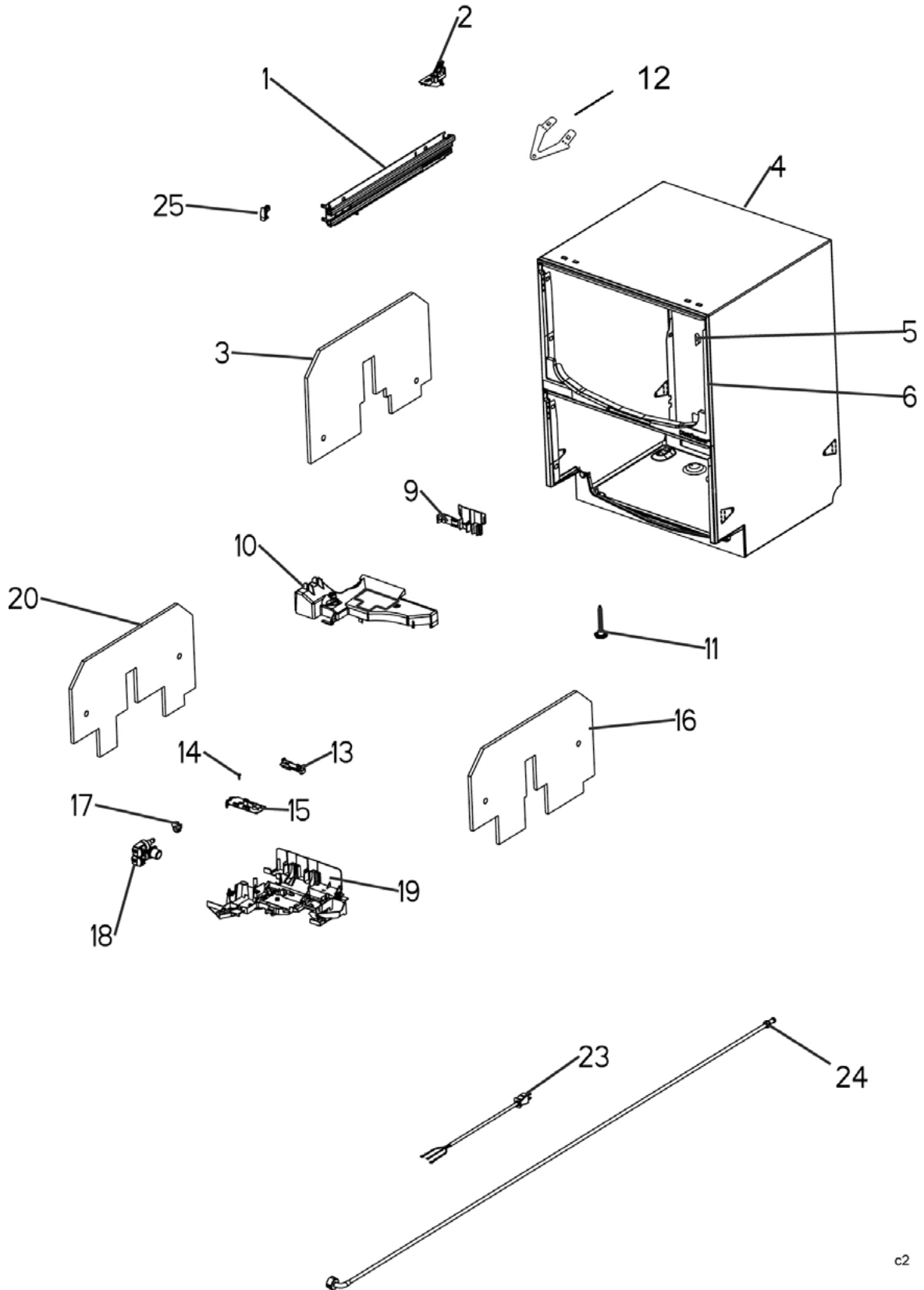


c2

Cabinet

Ref	Part	Description	Model
1	526323	SLIDE & BRACKET ASSY LH	
	526324	SLIDE & BRACKET ASSY RH	
NI	556607P	SCREW MC M5X10 TAPTITE (PKT 10)	
2	526128	LATCH ASSY RH	
	526130	LATCH ASSY LH	
3	526669	INSUL CHASSIS TOP (& SINGLE RIGHT)	
4	526756	KIT REPLACE CHASSIS DBL PH3	DD
		CHASSIS DOUBLE ASSY GALV	
	526797	TAB TOP (x 2)	
	526509	FOOT (x 4)	
		TRIM CHASSIS CHARCOAL (UPPER)	
		TRIM CHASSIS KICKSTRIP CHARCL (LOWER)	
	525968	MOUNT LINK TOP	
	526378	PRISM TUB HOME (x 2)	
	526768	KIT REPLACE CHASSIS SGL PH3	DS
		CHASSIS SINGLE ASSY GALV	
	526378	PRISM TUB HOME	
		TRIM CHASSIS CHARCOAL (UPPER)	
5	526378	PRISM TUB HOME	
6	* 526776	KIT TRIM CHARCOAL DD603	DD
		TRIM CHASSIS CHARCOAL (UPPER)	
		TRIM CHASSIS KICKSTRIP CHARCL (LOWER)	
	526378	PRISM TUB HOME (x 2)	
	* 527861	KIT TRIM CHARCOAL DS603	DS
		TRIM CHASSIS CHARCOAL (UPPER)	
	526378	PRISM TUB HOME	
	* 527862	KIT TRIM/SEAL CHARCOAL DD603	DD
		TRIM/SEAL UPPER ASSY CHARCOAL	
		TRIM/SEAL LOWER ASSY CHARCOAL	
	526378	PRISM TUB HOME (x 2)	
	* 527863	KIT TRIM/SEAL CHARCOAL DS603	DS
		TRIM/SEAL UPPER ASSY CHARCOAL	
	526378	PRISM TUB HOME	
NI	* 527549	KIT DD TRIM SEAL	DD
		SEAL TRIM COEX UPPER	
		SEAL TRIM COEX LOWER (x 2)	

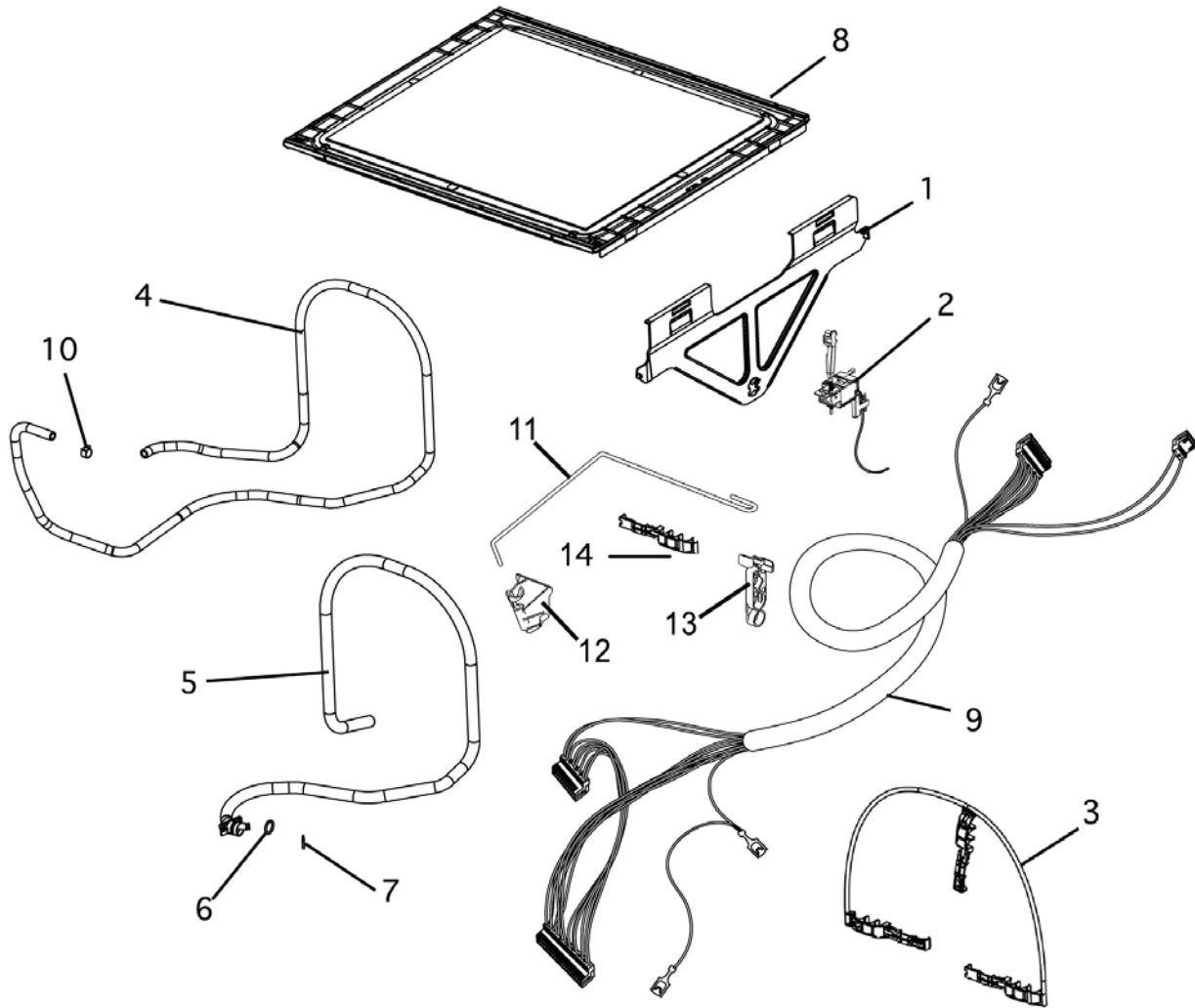
Cabinet



Cabinet

Ref	Part	Description	Model
9	525968	MOUNT LINK TOP	DD
10	525977P	LID CHASSIS MODULE	
11	526509	FOOT	DD
12	526797	TAB TOP	DD
13	526250	RETAINER LINK	
14	556624P	SCREW ST M4X16 XTITE HXW (PKT 10)	
15	525959P	MAINS FILTER PH3 US	
16	526667	INSUL CHASSIS BOTTOM RIGHT	DD
	526668	INSUL CHASSIS BOTTOM LEFT	DD
17	525466	CLAMP HOSE HERBIE TYPE E	
18	526850	VALVE INLET DOUBLE 2.5L – W/SOFT MODELS	DDH
	525113	VALVE INLET DOUBLE 4L – NON W/SOFT MODELS	DD
	526851	VALVE INLET SINGLE 2.5L – W/SOFT MODELS	DSH
	525842	VALVE INLET SINGLE 4L – NON W/SOFT MODELS	DS
19	525976	CHASSIS MODULE	
NI	556605P	SCREW ST M3.5X25 PLASTBK (PKT10)	
20	526690	INSUL CHASSIS SINGLE (LEFT)	DS
23	525983	FLEX ASSY MAINS US	
NI	572638	SADDLE TERMINATION STRIP	
NI	556607P	SCREW MC M5X10 TAPTITE (PKT 10)	
24	525970	HOSE INLET WIRSBO US	
NI	525938P	WASHER WIRSBO US (PKT 10)	
NI	526161	ADAPTOR HOSE INLET US	
25	525971	CLIP TUB RELEASE RH	
	525972	CLIP TUB RELEASE LH	

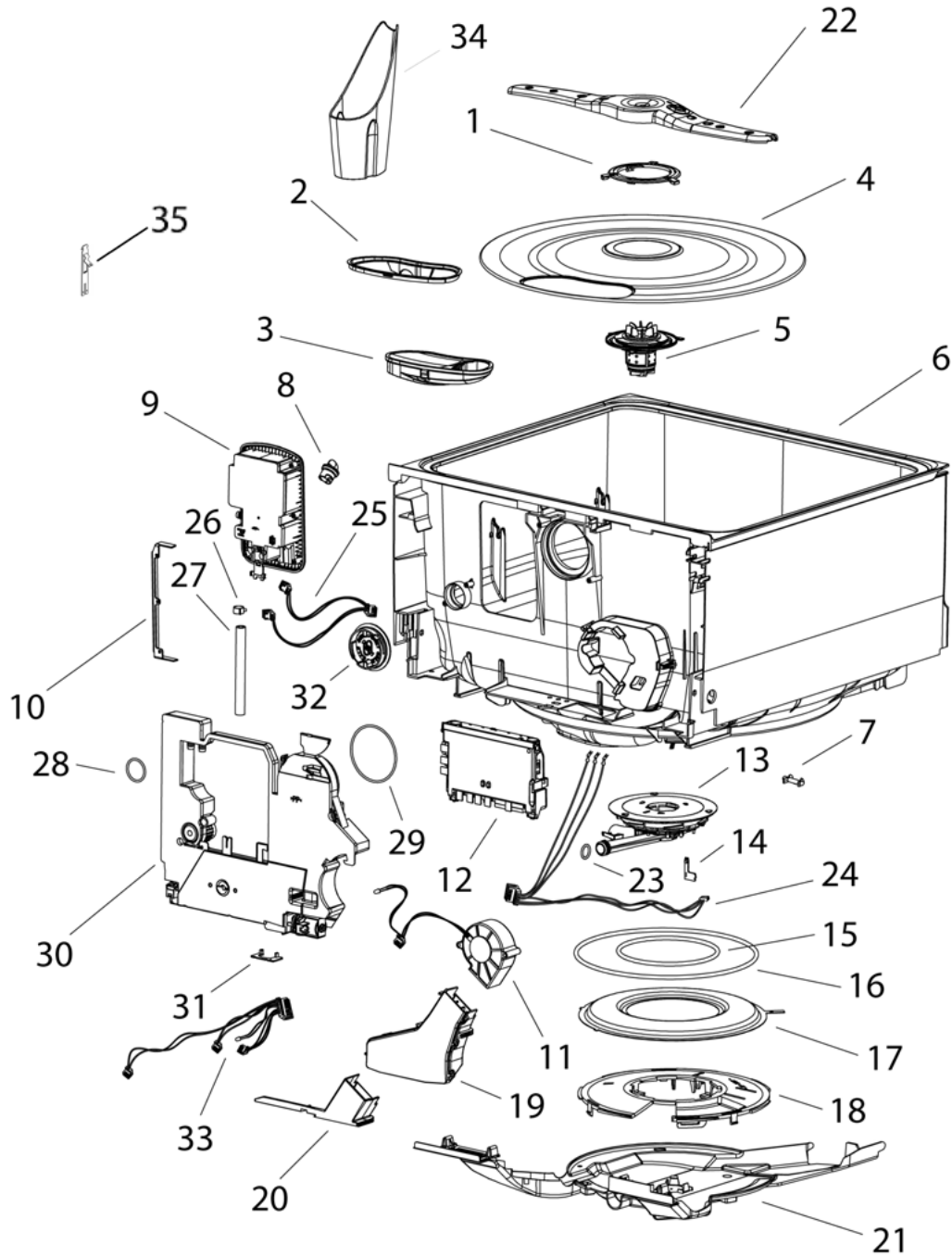
4 LID AND LINK ASSEMBLY



Lid and Link Assembly

Ref	Part	Description	Model
1	* 526186	YOKE LID RIGHT	
	* 526260	YOKE LID LEFT	
2	528112	KIT LID ACTUATORS TOP (PKT 2)	DD
	528113	KIT LID ACTUATORS BOTTOM (PKT 2)	
3	* 526396	LINK SUPPORT (replaced with 528437 KIT RETROFIT LINK SUPPORT)	
4	526837	HOSE FILL LOWER	
	526836	HOSE FILL UPPER	DD
5	527137	KIT DRAIN HOSE HOSE DRAIN	
	525940	<i>O RING CUFF SOCKET UL</i>	
NI	525798	KIT DRAIN HOSE EXTENSION 3.6M DRAIN HOSE EXTENSION (x 2)	
	525482	<i>CLIP WIRE DRAIN (x 4)</i>	
	525780	<i>DRAIN HOSE JOINER (x 2)</i>	
NI	* 527394	KIT DRAIN HOSE JOINER	
	525482	<i>CLIP WIRE DRAIN (x 2)</i>	
	525780	<i>DRAIN HOSE JOINER</i>	
6	525940P	O RING CUFF SOCKET UL REC (PKT 4)	
7	525414P	VALVE FLAP (PKT 2)	
8	526732P	LID ASSY PH3	
9	526749	HARNESS CHASSIS LOWER	
	526750	HARNESS CHASSIS UPPPER	DD
10	525743	CLAMP HOSE TYPE 12232-17-4	
11	528095	ROD LINK SUPPORT	
12	528101	BRACKET LINK SUPPORT	
13	528162	CLIP LINK SUPPORT	
14	528537P	CLIP LINK TUB SIDE (PKT 10)	
<i>Other non-illustrated parts</i>			
NI	* 528437	KIT RETROFIT LINK SUPPORT	
	528101	<i>BRACKET LINK SUPPORT</i>	
	528095	<i>ROD LINK SUPPORT</i>	
	528162	<i>CLIP LINK SUPPORT</i>	
	528537P	<i>CLIP LINK TUB SIDE PKT10</i>	
		BRACKET LINK RETROFIT	
		PLATE BACKING LINK	
		SCREW ST 8X12MM TA MTS PH SS (x 2)	

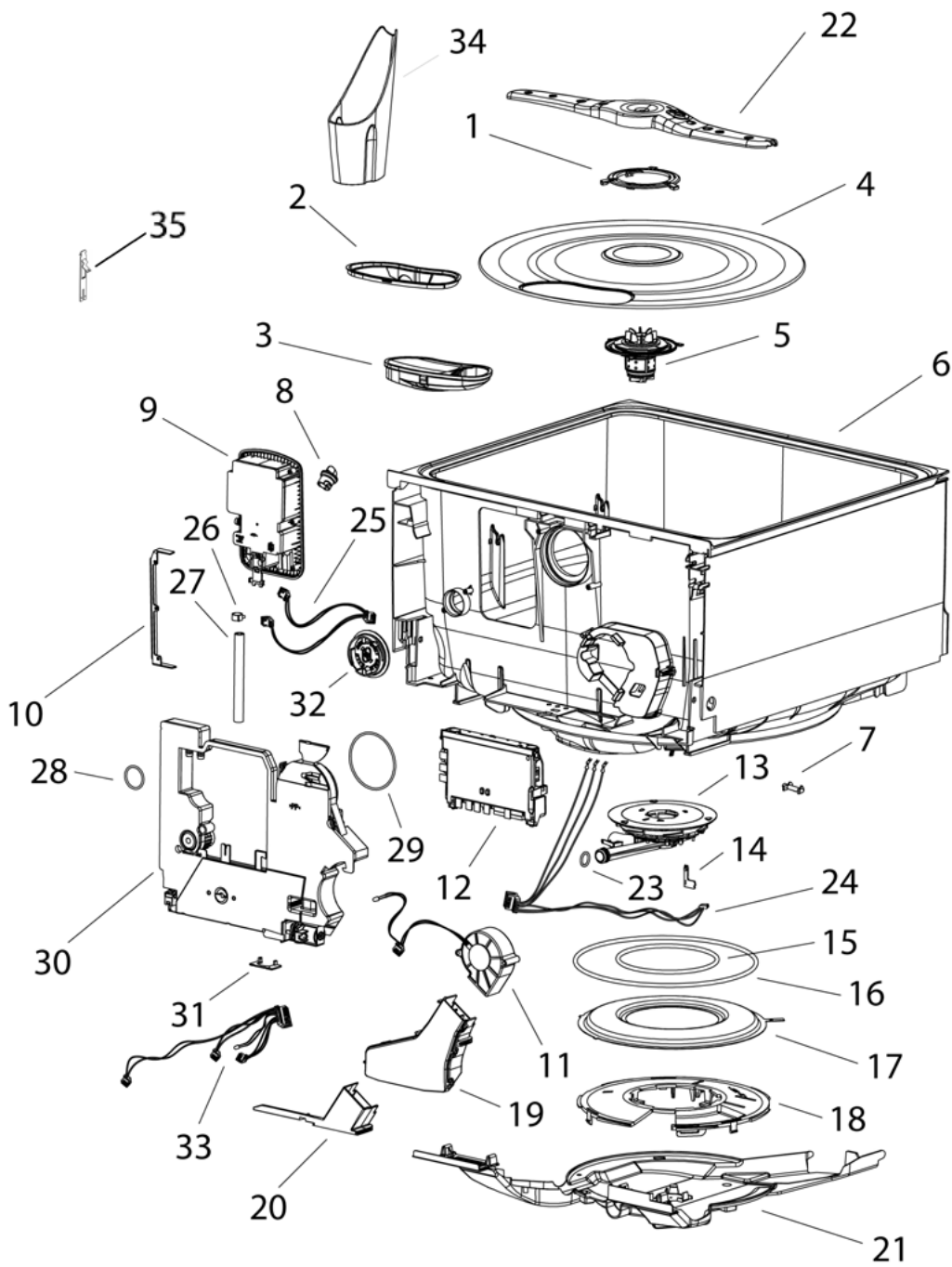
5 TUBS AND COMPONENTS



Tubs and Components

Ref	Part	Description	Model
1	526069	LOCK NUT FILTER PLATE	
2	* 527547	KIT DRAIN FILTER TRIM SP	
3	* 527739	DRAIN FILTER ASSY 6MM DIVIDER	
4	527227P	FILTER PLATE ASSY 316 (SP)	
		FILTER PLATE 316	
	527546	<i>DRAIN FILTER TRIM</i>	
	526069	<i>LOCK NUT FILTER PLATE</i>	
5	* 525884P	MOTOR ROTOR ASSY (SP)	
6	525969	TUB W/ASSY PH3 WHITE QFP TEXT – non water softener	All except H
	526798	TUB W/ASSY PH3 W/SOFT F&P TEXT – water softener	H
7	526623	LIGHT TRANSFER TUBE	
8	527694	BUNG ASSY DISPENSER RINSE AID	
9	526860	KIT DISPENSER	
		DISPENSER DISHDRAWER	
	526789	<i>BRACKET DISPENSER SHORT (x 2)</i>	
NI	556600P	SCREW M3.5X14 PANTX K35 (PKT10)	
10	526789	BRACKET DISPENSER SHORT	
11	526752	HARNESS & FAN ASSY	
12	* 528080USP	CONTROLLER 525 PH3 VER 4 – USA (use on product with LCD which has hours/mins display)	
	* 528080HUSP	CONTROLLER 525 PH3.5 VER 4 – USA (use on product with LCD which has minutes only display)	
NI	527273	PANEL CONTROLLER	
13	* 528042	KIT MOTOR ASSY KIT PH3	
		MOTOR ASSY COMP PH3	
	525940	<i>O RING CUFF SOCKET UL REC</i>	
	525058	<i>SEAL HEATER PLATE/TUB</i>	
	525059	<i>SEAL MOTOR HOUSING</i>	
14	526340P	HALL SENSOR 525 P3	
15	525059	SEAL MOTOR HOUSING	
16	525058	SEAL HEATER PLATE/TUB	

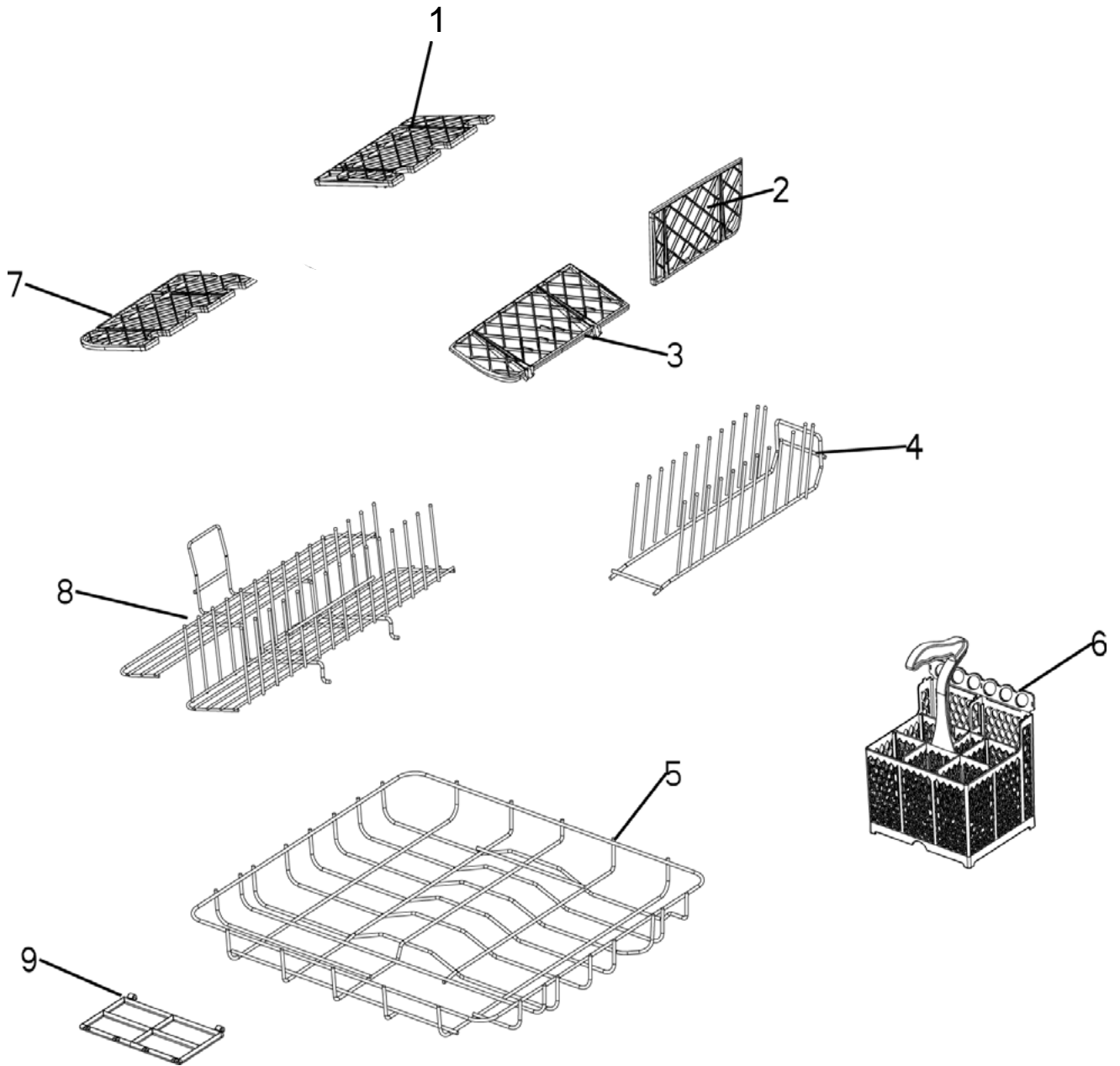
Tubs and Components



Tubs and Components

Ref	Part	Description	Model
17	527702	KIT HEATER PLATE PH3 US HEATER PLATE ASSY PH3 US	
	525059	SEAL MOTOR HOUSING	
	525058	SEAL HEATER PLATE/TUB	
18	525162	LOCKING NUT	
19	526278	DUCT TOP ASSY PH3	
20	526279	DUCT BOTTOM PH3	DD
21	525956	COVER WIRING PH3	
22	* 527475	SPRAY ARM ASSY SLUICING 03 18H	
23	525940P	O RING CUFF SOCKET UL REC (PKT 4)	
24	526751	HARNESS MOTOR	
25	526263	HARNESS DISPENSER PH3	
26	525743	CLAMP HOSE TYPE 12232-17-4	
27	526412	HOSE FILL SOFTENER	H
28	526718	O RING OVERFLOW SOFTENER	H
29	526717	O RING SALT TANK	H
30	527084	KIT WATER SOFTENER ASSY (SP) WATER SOFTENER	H
	526718	O RING OVERFLOW SOFTENER	H
	526717	O RING SALT TANK	H
	526713	BUNG SOFTENER ASSY	H
	527102P	SALT SENSE SMD 525 PH3.5	H
	556600	SCREW M3.5X14 PANTX K35 (X4)	H
NI	556600P	SCREW M3.5X14 PANTX K35 PKT10	H
31	527102P	SALT SENSE SMD 525 PH3.5	H
32	526713	BUNG SOFTENER ASSY	H
33	526840	HARNESS WATER SOFTENER	H
34	526835	CONTAINER SALT FILLING	H
35	NOT USED		

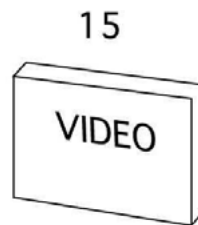
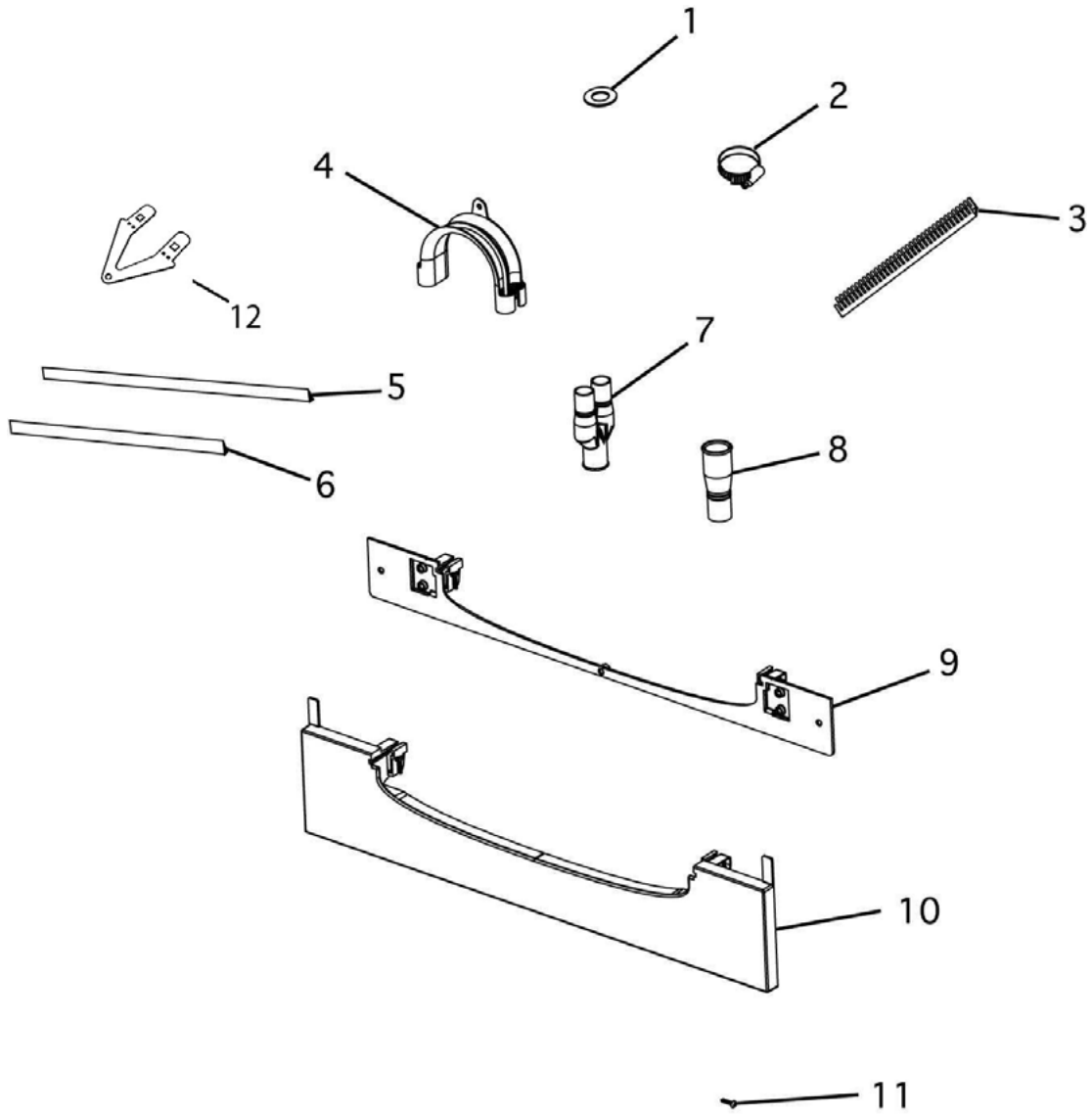
6 BASKETS AND RACKS



Baskets and Racks

Ref	Part	Description	Model
1	526374	CUP RACK BACK LEFT	
2	526377	CUP RACK BACK RIGHT	
3	526376	CUP RACK FRONT RIGHT	
4	526092	INSERT CROCKERY US SILVER	
	* 525581	INSERT CROCKERY 12 INCH SILVER	Spare part only
5	* 526062	BASKET SILVER	
6	525489	CUTLERY CONTAINER ASSY	
7	526375	CUP RACK FRONT LEFT	
8	526346	UNI INSERT SILVER	
9	526345	TRAP DOOR DRAIN FILTER ACCESS	

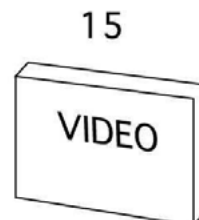
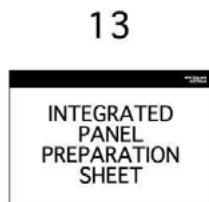
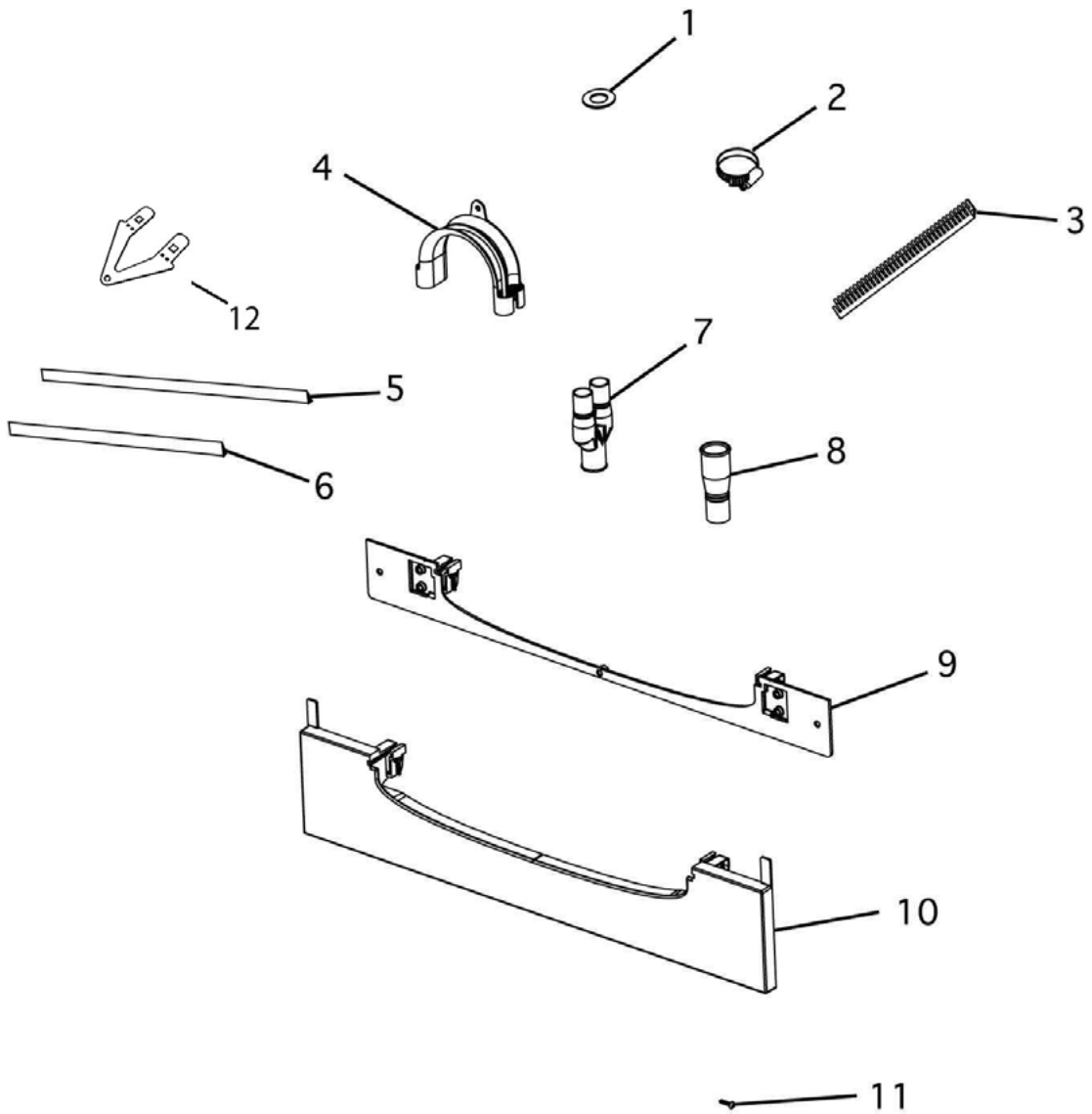
7 INSTALLATION COMPONENTS



Installation Components

	Part	Description	Model
1	525938P	WASHER WIRSBO US (PKT 10)	
2	525953	CLAMP HOSE DIA 32-20	
3	525935	EDGE 160MM 22PKG020 UHMWPE US	
4	525477F	SUPPORT DRAIN HOSE	
5	526771	TRIM CAVITY SIDE DBL CHARCL US	DD
	526772	TRIM CAVITY SIDE SGL CHARCL US	DS
6	526773	TRIM CAVITY TOP CHARCL US	
7	525925	DRAIN SPIGOT CONNECTOR DBL US	DD
8	525926	DRAIN SPIGOT CONNECTOR SGL US	DS
9	526682	KIT KICKSTRIP INTEGRATED	DDI
10	526678	KIT KICKSTRIP WHITE US	DD
	526679	KIT KICKSTRIP BLACK US	DD
	527109	KIT KICKSTRIP SILVER US	DDM
11	556089P	SCREW WS 8X5/8TWINFST (PKT 10)	
12	526797	TAB TOP	DD
13	528345	CARD SET INT PANEL PREP FP US	I, IH
14	528343	BOOK SET USER/INSTAL FP US	
NI	420353	COMPACT DISC-US PRODUCT	
15	526573	VIDEO USE & CARE DD603 US	
<i>Other non-illustrated parts</i>			
NI	525482P	CLIP WIRE DRAIN (PKT 2)	
NI	526676	KIT INSTALL DOUBLE/SINGLE US	
	525477	SUPPORT DRAIN HOSE	
	525482	CLIP WIRE DRAIN (x 2)	
	525925	DRAIN SPIGOT CONNECTOR DBL US	
	525926	DRAIN SPIGOT CONNECTOR SGL US	
	525938	WASHER WIRSBO US	
	528111	CLAMP HOSE DIA 32-14	
		SCREW WS 8X5/8 TWIN FAST (x 7)	
	525935	EDGE 160MM 22 PKG020 UHMWPE US	
	526797	TAB TOP (x 2)	
	526771	TRIM CAVITY SIDE DBL CHARCL US	
	526772	TRIM CAVITY SIDE SGL CHARCL US	
	526773	TRIM CAVITY TOP CHARCL US	
NI	* 527228	KIT TAPE UNDERBENCH	
NI	479314	CARD REGISTRATION ALL PRODUCT	

Installation Components



Installation components

Ref	Part	Description	Model
NI	526674	KIT INTEGRATED INSTALL US	I, IH
	526608	<i>CARD INTEGRATED PANEL PREP US</i>	
	556089P	<i>SCREW WS 5X5/8 TWIN FST MTSPH ZP (PKT 10)</i>	
NI	* 526857	CARTON SLEEVE DD REPACK	

8 NOTES

Part no	Description	Note or Technical Bulletin reference
Front panels/controls (excluding flat door and DCS models)		
526683 526684 526685 527156 527157 527276 527277	Integrated badge kits	All integrated badge kits contain an integrated badge housing and integrated badge buttons
526248P 527851P 526934P 526234P 526249P	Lower door assemblies	All lower door assemblies contain a door insert and door insulation
526240P 527847P 526933P 526239P 526238P	Upper door assemblies	All upper door assemblies contain a door insert and door insulation
526248P 526240P	DOOR LOWER ASSY SS US DOOR UPPER ASSY SS FP US	SS in the part description denotes brushed stainless steel finish (uncoated), used on all brushed stainless steel products up to and including BKM serial numbers.
527851P 527847P	DOOR LOWER ASSY SE PH3 US DOOR UPPER ASSY SE FP PH3 US	SE in the part description denotes EZKleen stainless steel finish, used on all brushed stainless steel products from BUM serial numbers onwards. These products will have the following product codes: 88443, 88444, 88445, 88446
526743 526744 528525	Handles	DW037, May 2003 DW041, February 2004
527586	Integrated door seal	DW041, February 2004
528043P 528044NP	LCDs	DW046, October 2004 DW043, June 2004
Front panels/controls: flat door models		
528083 528085 528087 528089	Flat door upper and lower assemblies	These flat door assemblies contain a designer badge housing, door corners and clips (but no door insert or insulation)
Cabinet		
526776 527861 527862 527863	Trim kits	DW043, June 2004
527549	Trim seal kit	DW043, June 2004

Notes

Part no	Description	Note or Technical Bulletin reference
<i>Lid and link assembly</i>		
526186 526260	Yoke lid right Yoke lid left	DW040, November 2003
527394	Kit drain hose joiner	DW036, March 2003
528437	Kit retrofit link support	DW049 June 2005
<i>Tubs and components</i>		
527547	Drain filter trim	DW040, November 2003
527739	Drain filter	DW042, April 2004
525884P	Rotor	DW043, June 2004
528397	Controller	DW048, April 2005
527475	Spray arm	DW043, June 2004
528042	Motor	DW043, June 2004
<i>Baskets and racks</i>		
525581	Crockery insert	DW041, February 2004
526062	Silver basket	DW040, November 2003
<i>Installation components</i>		
527228	Underbench tape	DW034, September 2002
526857	Carton sleeve repack	DW035, February 2003