

*Fisher & Paykel*  
appliances

customer care™

*Parts Manual*

# **AQUASMART® Electronic Washing Machine**

## **Model**

WL26CW1 FP US

## **Product Code**

96215-A



**96215-A**



## **PRODUCT**

<b>Brand</b>	Fisher & Paykel
<b>Voltage</b>	110-120V 60Hz
<b>Model</b>	WL26CW1 FP US
<b>Product Code</b>	96215-A

**Fisher & Paykel Appliances**

5900 Skylab Road  
Huntington Beach  
CA 92647

Telephone: 888 936 7872

COPYRIGHT © FISHER & PAYKEL LTD 2007 ALL RIGHTS RESERVED



## CONTENTS

TOP DECK AND ELECTRONICS .....	6
WRAPPER CABINET .....	10
AGITATOR AND HOSES .....	12
INNER & OUTER BOWLS AND DRAIN PUMP .....	14
MOTOR .....	16

### GUIDE TO USING THIS MANUAL

The model covered by this manual is listed on the front cover.

The information detailed in this manual is subject to change without notice, the latest version is indicated by the reprint date and replaces any earlier editions.

The front cover picture shows the type of product and may not necessarily be an exact image of the models covered by the manual.

#### Kit Parts

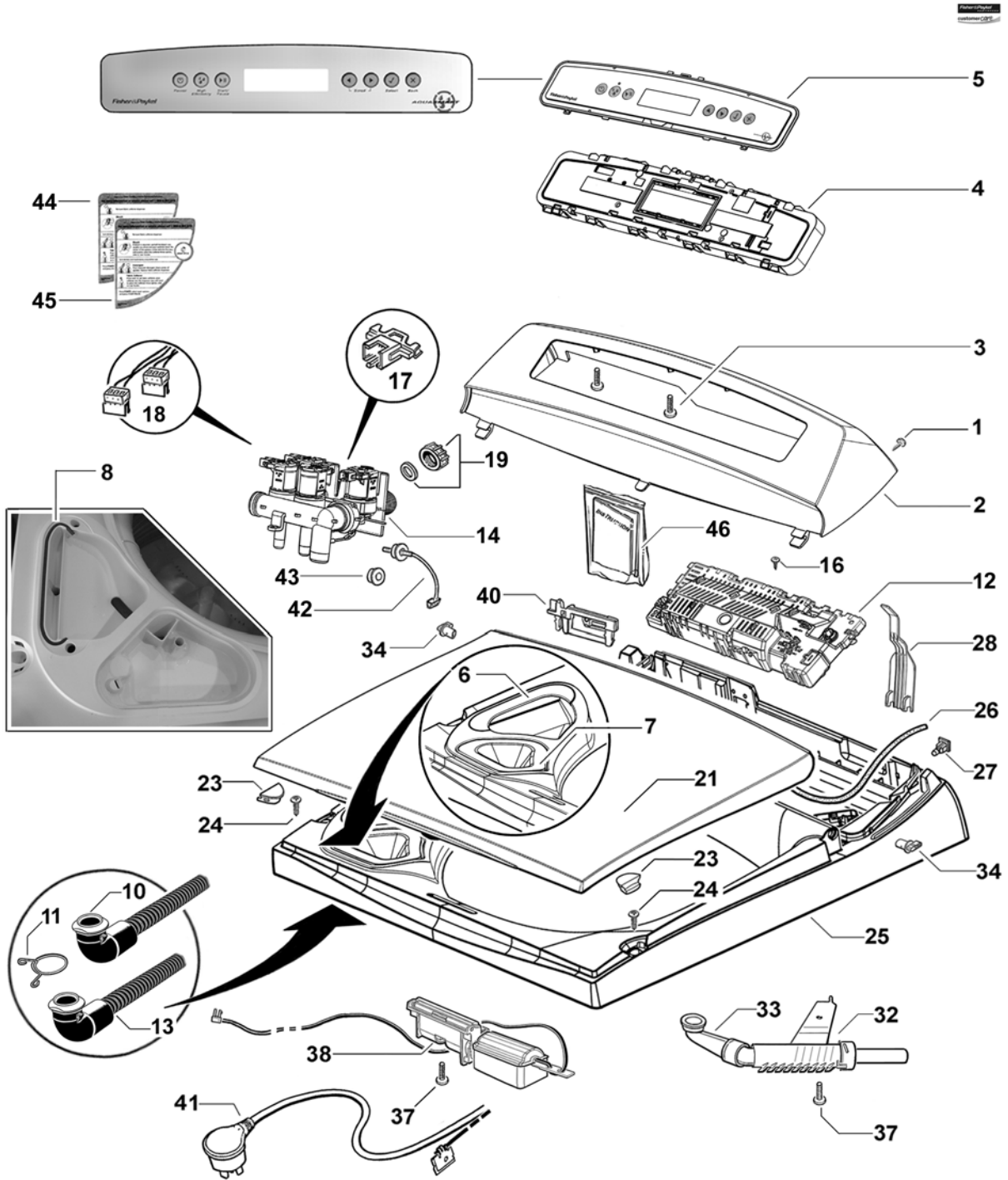
The components shown in *italics with a part number* are those parts in the kit which are available also as separate items. In addition, some parts may be supplied with this kit which are not available as separate items and are therefore either not listed or a part number is not shown against the part description in this manual.

All details relating to Technical Bulletins or Notes are shown on a dedicated page. The Technical Bulletin Number shown relates to the bulletin version which is produced for the Global Service Centres.

#### Parts List Key

NOT USED	As a part, indicates the diagram part reference is not used in this manual.
<i>italics</i>	Kit components or parts included are shown in <i>italics</i> , refer to above notes: Kit Parts
NI	As a part reference, indicates the part is not illustrated on the diagram.

# TOP DECK AND ELECTRONICS



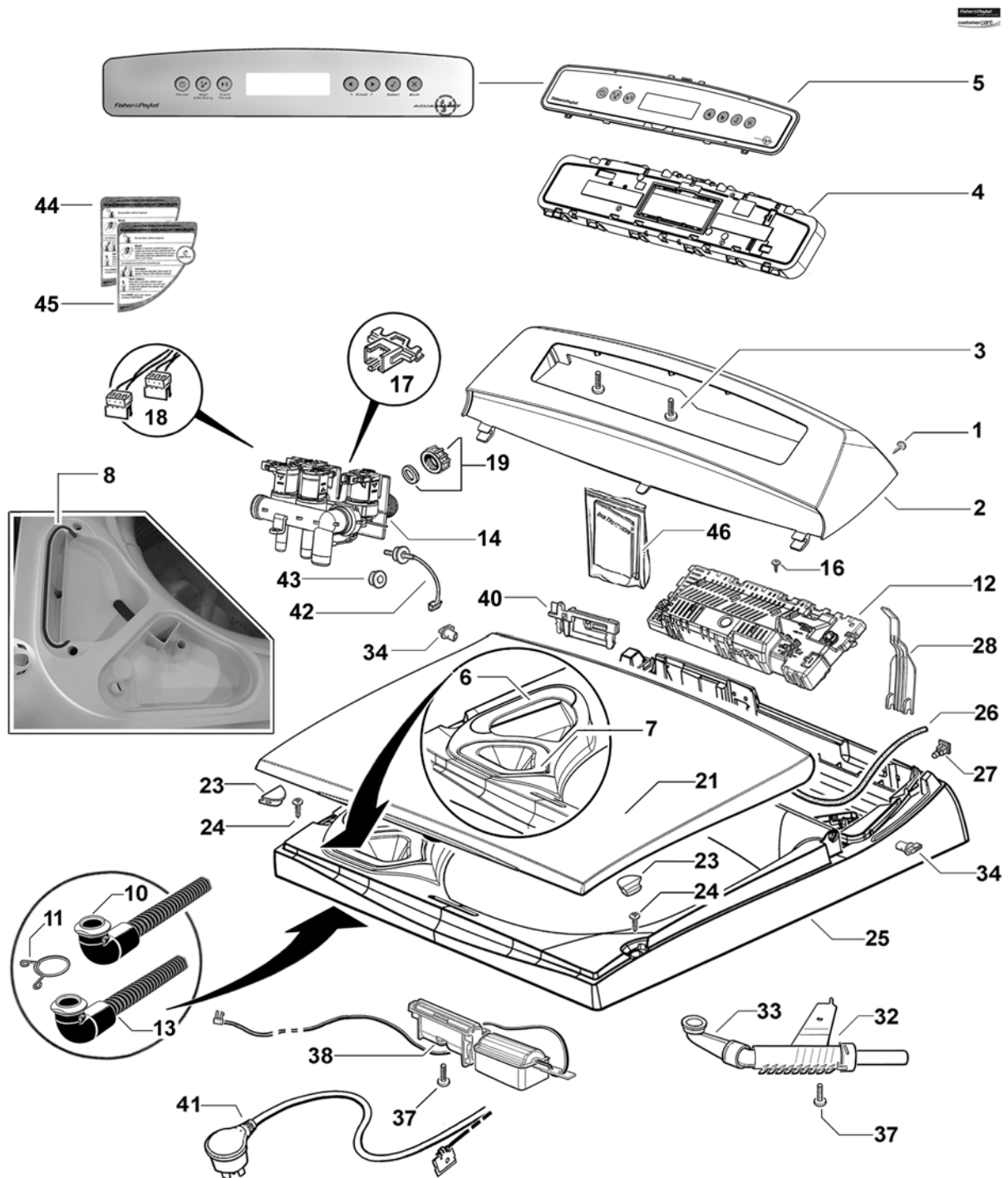
DWG001077

## TOP DECK AND ELECTRONICS

REF	PART	DESCRIPTION
1	611933P	SCREW ST 8X5/8 TA MTS PH ZNPL (PKT 10)
2	420957	CONSOLE L SD IMD
3	611805P	SCREW ST 8X16 PLASTITE PAN PH (PKT 10)
4	421052P	MODULE DISP 120V AQUASMART SVC
5	421075P	FACIA IMD ASSY 120V
6	421047	COVER DETERGENT FLUSHER KIT
	<i>Includes</i>	<i>GASKET DISPENSER DIA 3.0MM X155MM</i>
7	420912	FUNNEL FABRIC SOFTENER
8		GASKET PART OF COVER DETERGENT FLUSHER KIT
10	421015	HOSE DISP. DETERGENT CREAM
11	420909	CLAMP HOSE DIA 15.5 SAFE
12	420579USP	MODULE MC AQUASMART PH 7 120V SVC
13	420938	HOSE DISP. SOFTENER GREY
14	420966	VALVE INLET DISPENSING US
	<i>Includes</i>	<i>CLIP RETAINING RAST CONNECTOR WHITE (2)</i>
	<i>Includes</i>	<i>CLIP RETAINING RAST CONNECTOR YELLOW (1)</i>
	<i>Includes</i>	<i>CLIP RETAINING RAST CONNECTOR PURPLE (1)</i>
	<i>Includes</i>	<i>THERMISTOR ASSY SD200 UL</i>
	<i>Includes 426752</i>	<i>SEAL THERMISTOR SS</i>
16	611986P	SCREW ST 8X20MM HILO PAN PH
17	421049P	CLIP RETAINING RAST DUAL VALVE KIT
	<i>Includes</i>	<i>CLIP RETAINING RAST CONNECTOR WHITE (2)</i>
	<i>Includes</i>	<i>CLIP RETAINING RAST CONNECTOR YELLOW (1)</i>
	<i>Includes</i>	<i>CLIP RETAINING RAST CONNECTOR PURPLE (1)</i>
18	420963	HARNESS DISPENSING INLET VALVE
19	388491	CAP VALVE BLANKING
	<i>Includes 420017</i>	<i>CONNECTOR SEAL VALVE CAP</i>
21	426796P	LID L11 WHITE PKD
23	426793P	BUFFER LID SD11 (PKT 2)
24	611812P	SCREW ST 10X5/8 MSH PAN PH SS430 (PKT 10)
25	421046	TOP DECK DISPENSING LARGE ASSY
	<i>Includes 422402</i>	<i>NUT SNAP IN SPIRE P0071/05/01/00 (2)</i>
	<i>Includes 426825</i>	<i>HINGE LID SD11 (2)</i>
	<i>Includes</i>	<i>COVER DETERGENT FLUSHER</i>
	<i>Includes</i>	<i>GASKET DISPENSER DIA 3.0MM</i>
	<i>Includes 420909</i>	<i>CLAMP HOSE 15.5 DIA (2)</i>
	<i>Includes 420912</i>	<i>FUNNEL FABRIC SOFTENER</i>
	<i>Includes 420938</i>	<i>HOSE DISP. SOFTENER GREY</i>
	<i>Includes 421004</i>	<i>BUNG DISPENSER TOP DECK (2)</i>
	<i>Includes 421015</i>	<i>HOSE DISP. DETERGENT CREAM</i>
26	426273	GASKET CONSOLE FOAM CUT
27	422402	NUT SNAP IN SPIRE P0071/05/01/00
28	420133	COVER WIRING TOPDECK SD11

Continued next page

# TOP DECK AND ELECTRONICS



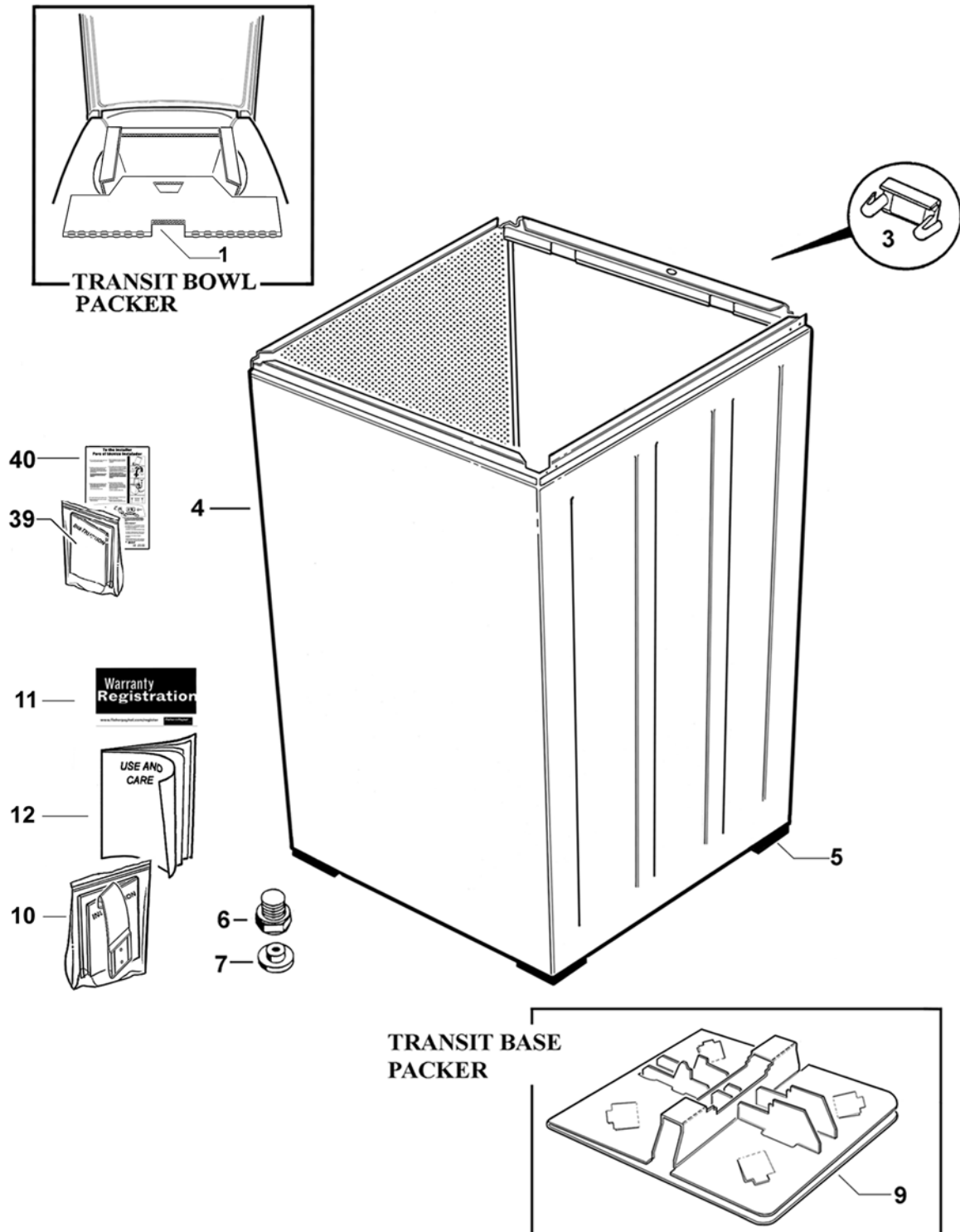
DWG001077



## TOP DECK AND ELECTRONICS

REF	PART	DESCRIPTION
32	420833	NOZZLE SPRAY FILL ASSY
	<i>Includes</i>	<i>CAP NOZZLE SPRAY FILL</i>
	<i>Includes</i>	<i>NOZZLE SPRAY FILL</i>
	<i>Includes</i>	<i>PISTON NOZZLE SPRAY FILL</i>
	<i>Includes</i>	<i>SPRING FILL NOZZLE</i>
33	425974	ELBOW NOZZLE SD3
34	426825	HINGE LID SD11
37	611811P	SCREW ST 8X1/2 PAN PH PLASTITE SS (PKT 10)
38	420700	LIDLOCK ASSEMBLY SD14
40	420738	CLAMP HARNESS TOP DECK
41	420755	CORD SET SD US STRAIN RELIEF
42	479193P	KIT THERMISTOR & SEAL UL
	<i>Includes 426949</i>	<i>THERMISTOR ASSY SD200 UL</i>
	<i>Includes 426752</i>	<i>SEAL THERMISTOR SS</i>
	<i>Includes 479165</i>	<i>LEAFLET THERMISTOR SD200</i>
43	426752P	SEAL THERMISTOR SS
44	421055	LABEL LID 120V AQUASMART ENG
45	421060	LABEL LID 120V AQUASMART SP
46	421109	LEAFLET SERVICE SUMMARY WL26CW

# WRAPPER CABINET

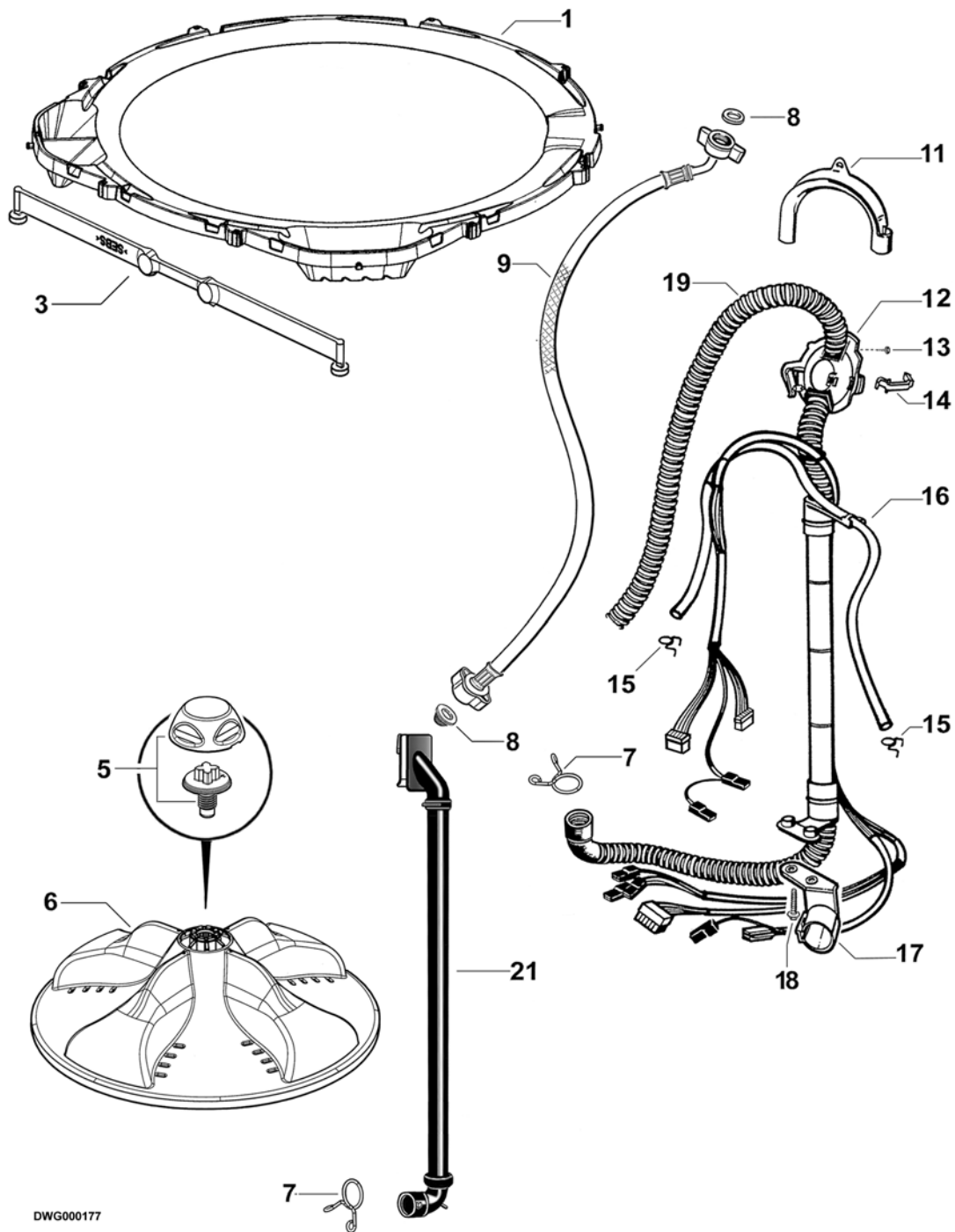


DWG000478

## WRAPPER CABINET

REF	PART	DESCRIPTION
1	478094	PACKER BOWL L AQUASMART
3	426058	COVER EARTH CLIP
4	426663P	WRAPPER ASSY 700 WHITE PKD
	<i>Includes 426153</i>	<i>FOOT LEVELLING (4)</i>
	<i>Includes 426657</i>	<i>CORNER CABINET BOTTOM (4)</i>
5	426657	CORNER CABINET BOTTOM
6	472969P	KIT FOOT & INSERT
	<i>Includes</i>	<i>FOOT LEVELLING</i>
	<i>Includes</i>	<i>INSERT FOOT</i>
7	479183	INSERT FOOT (PKT 4)
9	421062	PACKER BASE AQUASMART 120V
10	479273	KIT CATCH LID
	<i>Includes</i>	<i>CATCH LID PARTIAL OPENING</i>
	<i>Includes</i>	<i>TAPE FOAM DIE CUT 46X40X1</i>
	<i>Includes</i>	<i>LEAFLET INSTALLATION CATCH LID</i>
11	479314	CARD WARRANTY REGISTRATION ALL PRODUCT
12	421054	BOOKLET USE & CARE 120V AQUASMART (Mexican, Spanish Canadian French translation)
	<i>Includes 421065</i>	<i>LEAFLET QUICK REFERENCE GUIDE - USA</i>
39	421109	LEAFLET SERVICE SUMMARY WL26CW1
40	421065	LEAFLET QUICK REFERENCE GUIDE

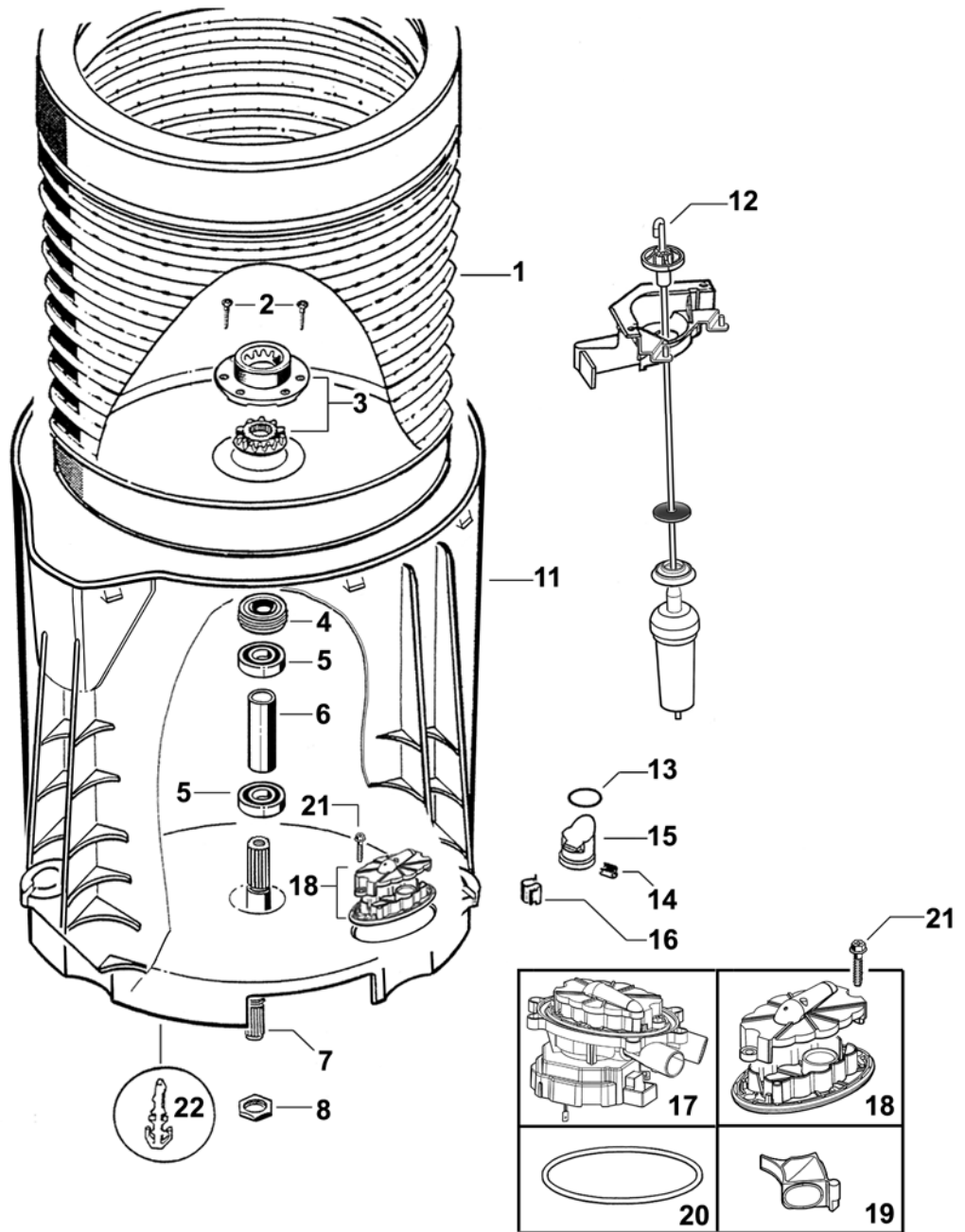
# AGITATOR AND HOSES



## AGITATOR AND HOSES

REF	PART	DESCRIPTION
1	421041	NECKRING KIT
	<i>Includes</i>	<i>NECKRING LGE DISPENSER MOULDED</i>
	<i>Includes 420978</i>	<i>STRAP MOULDED STRAIGHT (4)</i>
3	420978P	STRAP MOULDED STRAIGHT (PKT 4)
5	421040P	CAP & BOLT KIT PKD
	<i>Includes</i>	<i>CAP AGITATOR LP</i>
	<i>Includes</i>	<i>BOLT AGITATOR LP</i>
6	421039	AGITATOR LP KIT
	<i>Includes 421040</i>	<i>CAP AGITATOR LP &amp; BOLT AGITATOR LP</i>
7	420677	CLAMP HOSE DIA 33 SAFE
8	420016P	KIT FILTER / CONNECTOR SEAL (2 EACH)
	<i>Includes 420016</i>	<i>FILTER INLET MIFLEX (2)</i>
	<i>Includes 420017</i>	<i>CONNECTOR SEAL MIFLEX (2)</i>
9	420375	HOSE INLET ASSY MIFLEX II (10MM ID)
	<i>Includes</i>	<i>FILTER INLET PLASTIC</i>
	<i>Includes</i>	<i>CONNECTOR SEAL(2)</i>
	422680	HOSE INLET LONG (2MX10MM ID) PKD
	<i>Includes 420016</i>	<i>FILTER INLET MIFLEX</i>
	<i>Includes 420017</i>	<i>CONNECTOR SEAL MIFLEX (2)</i>
11	422808P	GUIDE OUTLET HOSE
12	426455	FIXTURE DRAIN HOSE
13	611933P	SCREW ST 8X5/8 TA MTS PH H5 (PKT 10)
14	425487	CLIP FIXTURE DRAIN HOSE
15	425611	CLAMP HOSE 08.5 TALL GRIP
16	425299	TUBE PRESSURE SENSOR SD2
17	425503	BRACKET DRAIN HOSE
18	420748P	SCREW ST 1/4 X 1.25" PLASTITE (PKT 10)
19	420676	HOSE & HARNESS ASSY SD14
21	420514	HOSE RECIRC ASSY SD14

# INNER & OUTER BOWLS AND DRAIN PUMP

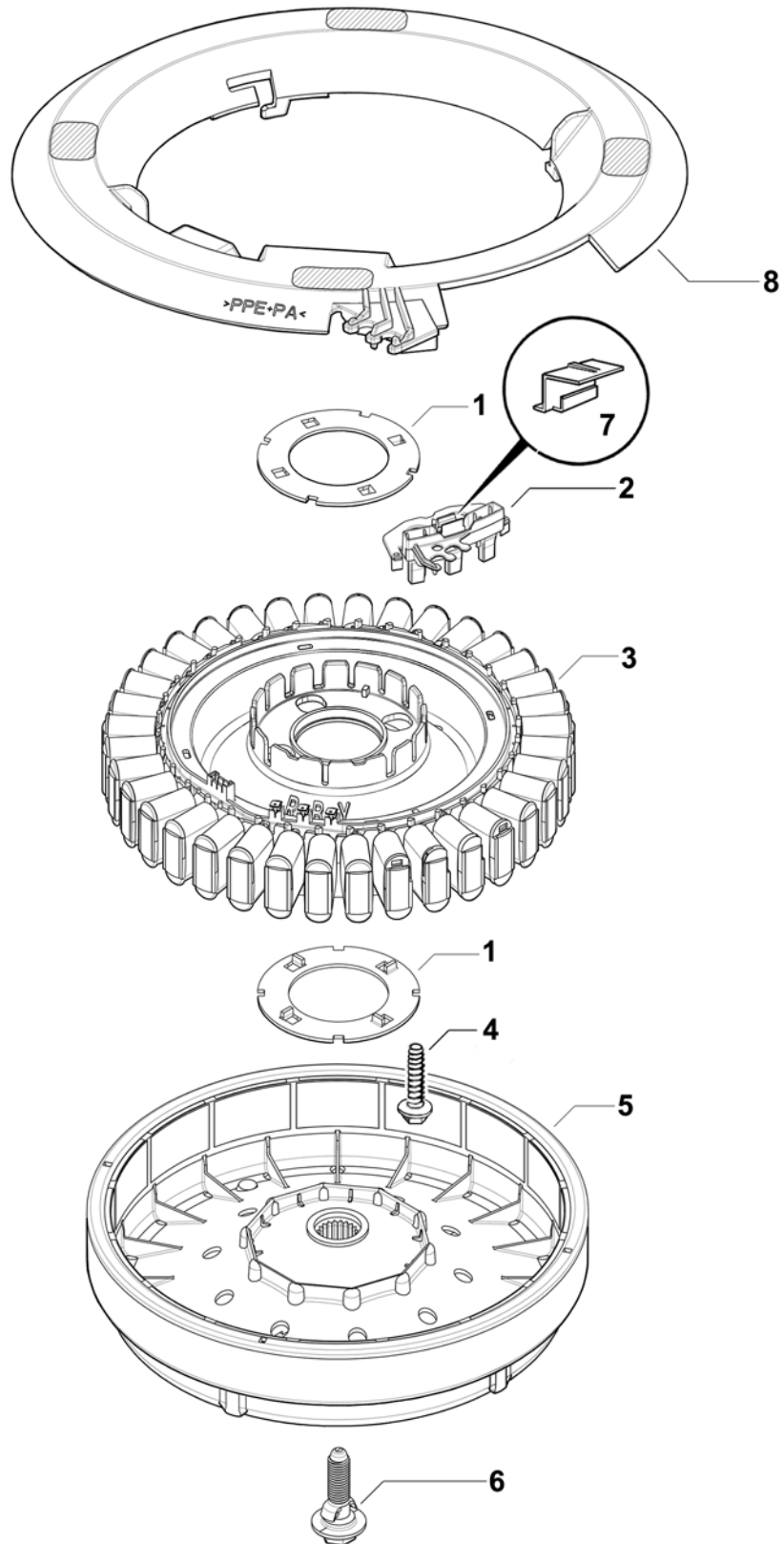


DWG000489

## INNER AND OUTER BOWLS AND PUMP

REF	PART	DESCRIPTION
1	420497P	BOWL INNER ASSY SD14L PKD
	<i>Includes</i>	<i>BOWL INNER ASSY LARGE</i>
	<i>Includes 425080</i>	<i>SPLINE DRIVEN</i>
	<i>Includes 425131</i>	<i>SCREW CLUTCH (3)</i>
	<i>Includes 425596</i>	<i>SPLINE DRIVE ASSY</i>
2	425131P	SCREW CLUTCH (PKT 10)
3	479318	KIT SPLINE DRIVE
	<i>Includes 425080</i>	<i>SPLINE DRIVEN</i>
	<i>Includes 425596</i>	<i>SPLINE DRIVE ASSY</i>
4	425009P	LIPSEAL PKD
5	425006P	BEARING 6005 2RSH/C3 PKD
6	425007	SPACER BEARING
7	420794P	SHAFT DRIVE INTERNAL THREAD KIT
	<i>Includes 420664</i>	<i>BOLT ROTOR</i>
	<i>Includes 420665</i>	<i>BOLT AGITATOR ( Not Required or Used for this Model )</i>
8	425171	NUT BEARING
11	421043	OUTER BOWL ASSY AQUASMART KIT
	<i>Includes</i>	<i>BOWL OUTER L SUB ASSY AQS</i>
	<i>Includes 472867</i>	<i>CLIP WIRING OUTER BOWL (3)</i>
	<i>Includes 613709</i>	<i>CLIP PIPE UNITED CARR FT19280-ZNPL</i>
	<i>Includes 425763</i>	<i>PLUG ASSEMBLY PRESSURE CHAMBER</i>
	<i>Includes 613710</i>	<i>CLIP EDGE (2)</i>
	<i>Includes 425006</i>	<i>BEARING 6005 2RSH/C3 (2)</i>
	<i>Includes 425007</i>	<i>SPACER BEARING</i>
	<i>Includes 425009</i>	<i>LIPSEAL</i>
12	421127P	SUSPENSION KIT AQUASMART (PKT 4)
13	425149	SEAL O RING PRESSURE CHAMBER
14	613710	CLIP EDGE
15	425763	PLUG ASSY PRESSURE CHAMBER
	<i>Includes 425097</i>	<i>PLUG PRESSURE CHAMBER</i>
	<i>Includes 425149</i>	<i>SEAL O RING PRESSURE CHAMBER</i>
16	613709	CLIP PIPE UNITED CARR FT19280-ZNPL
17	479417	PUMP (SMART PUMP) ASSEMBLY KIT
	<i>Includes 421124P</i>	<i>SEAL PUMP D PROFILE</i>
	<i>Includes 421030</i>	<i>COVER CONNECTOR PUMP</i>
18	479418	HOOD AND CAP (SMART PUMP) KIT
19	420403	VALVE FLAPPER (SMART PUMP)
20	479420	SEAL (SMART PUMP) HOUSING PKD
	<i>Includes 421124P</i>	<i>SEAL PUMP D PROFILE</i>
21	425162P	SCREW COVER (PKT 10)
22	472867	CLIP WIRING OUTER BOWL

# MOTOR



DWG000044



**MOTOR**

<b>REF</b>	<b>PART</b>	<b>DESCRIPTION</b>
1	426174P	CLAMP PLATE STATOR LANCED (PAIR)
2	420776P	RPS SD PH7 SPARES
	<i>Includes 420773</i>	<i>COVER TERMINAL RAST</i>
3	420775P	STATOR ASSEMBLY PKD
4	426835P	SCREW STATOR (PKT 10)
5	420774P	ROTOR ASSEMBLY PKD
	<i>Includes 420664</i>	<i>BOLT ROTOR</i>
6	420664P	BOLT ROTOR
7	420773	COVER TERMINAL RAST
8	421094	SHIELD MOTOR UL