

TITAN

aerOTECH®

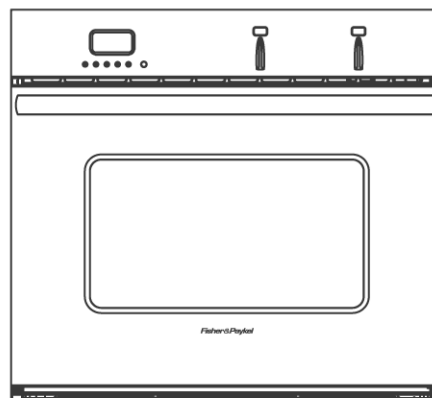
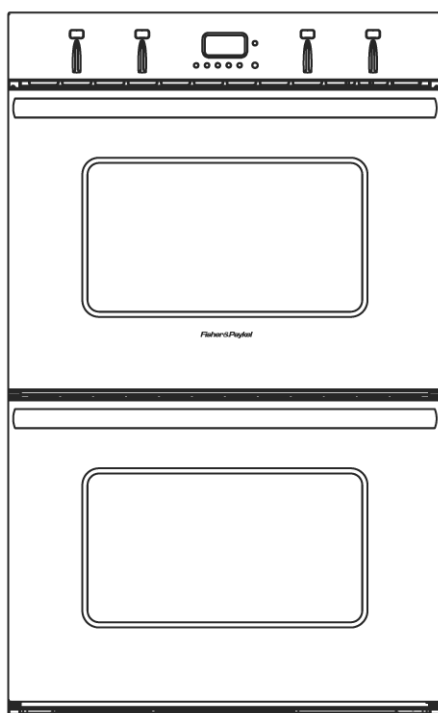
MODELS

OD302

OS302

USA

Service version B



PRODUCTS

Brand Fisher & Paykel

Voltage 240/120v AC 60Hz
208/120v AC 60Hz

Model	Service version	Description	Code & Market
OD302	B	SS FP	88437-B US
OS302	B	SS FP	88438-B US

Fisher & Paykel Appliances Inc

5900 Skylab Road,
Huntington Beach,
California, CA92647,
USA
Telephone: 888 936 7872
Facsimile: 949 790 8913
Email: customer.care@fishpaykel.com

Fisher & Paykel Appliances Ltd

PO Box 58-732 Greenmount,
78 Springs Road,
East Tamaki,
Auckland,
New Zealand
Telephone: 09 273 0600
Facsimile: 09 273 0656
Email: customer.care@fp.co.nz

Contents

DOOR OUTER ASSEMBLY	6
DOOR INNER ASSEMBLY	10
CONTROL PANEL ASSEMBLY	12
ELECTRONIC ASSEMBLY	14
CAVITY & COMPONENTS	16
CHASSIS ASSEMBLY	20
ELEMENTS & ACCESSORIES.....	24
NOTES	26

Guide to using this manual

Model

The models covered by this manual are listed on the front cover.

The information detailed in this manual is subject to change without notice, the latest version is indicated by the date and replaces any earlier editions.

The front cover picture shows the type of product and may not necessarily be an exact image of the model covered by the manual.

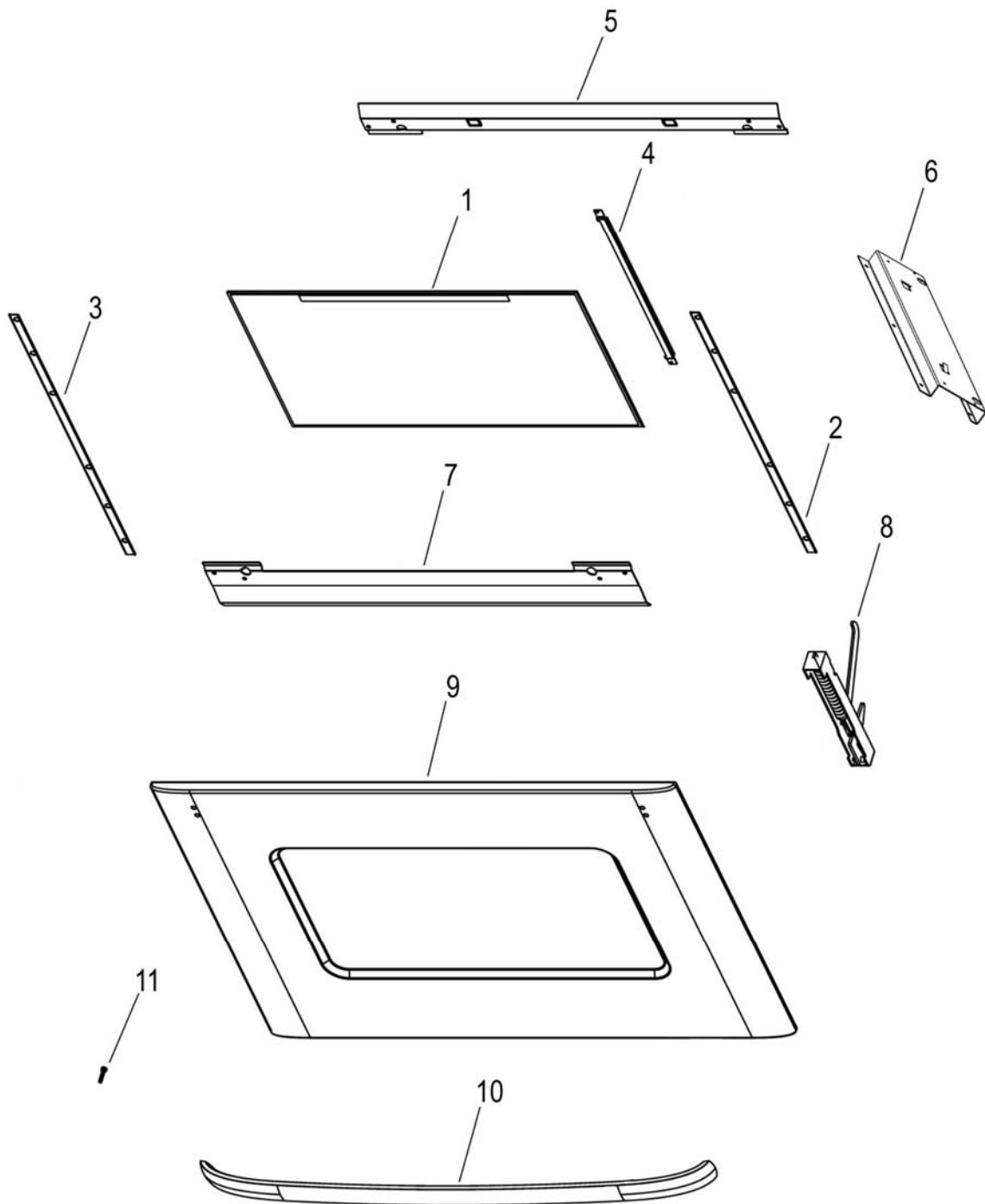
<i>Italics</i>	Indicates kit component parts that are available as separate items.
No part number	Indicates kit component parts that are not available as separate items.
*	Indicates a Technical Bulletin or a note exists for the part or part reference
NI	As a part reference, indicates the part is not illustrated on the diagram
NS	Indicates a part can not be serviced or replaced and is not available as a spare part
NOT USED	Indicates the diagram part reference is not used in this manual.

Abbreviations

FP = Fisher & Paykel
 SS = Brushed stainless steel
 US = United States

Fisher & Paykel regularly publish Technical Bulletins, which give more details on product changes. To read these bulletins, go to the Cool Blue World website on <http://cbw.fp.co.nz>

DOOR OUTER ASSEMBLY

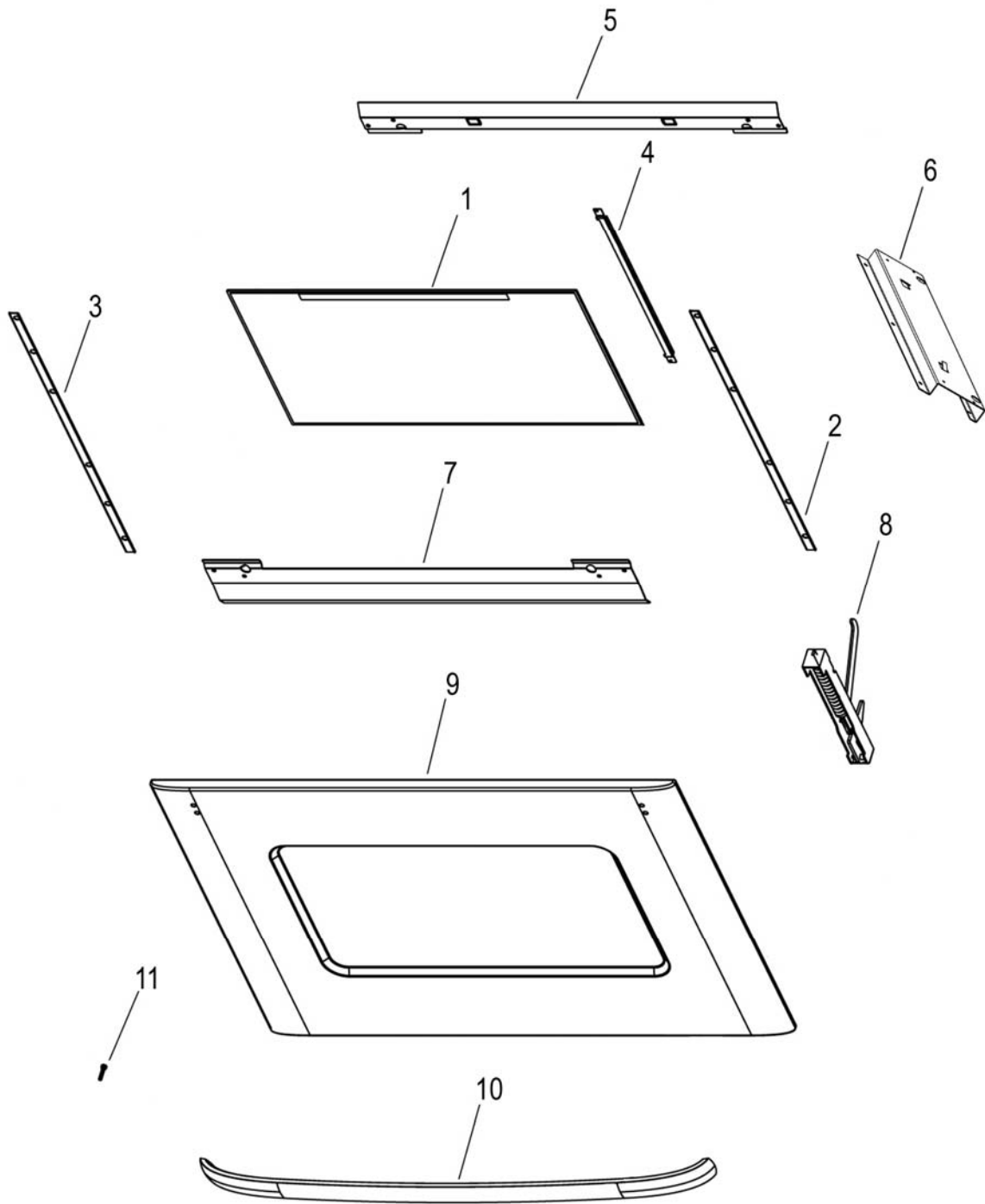


L34-A

DOOR OUTER ASSEMBLY

REF	PART	DESCRIPTION	MODEL
1	546380P	GLASS HEAT REFLECT HBII	
2	545697	TRIM DOOR RIGHT	
3	545696	TRIM DOOR LEFT	
NI	556620P	SCREW ST 8X10 TAB MTS BK (PKT10)	
4	545403	BRACKET SUPPORT OUTER GLASS	
NI	556060P	SCREW ST 8X1/4 TAB MSHPH (PKT10)	
5	545672	HEAT SHIELD DOOR OUTER	
NI	556009P	SCREW ST 8X3/8 TAB MSH PH NP (PKT10)	
6	545600	BRACKET OUTER DOOR GLASS	
NI	556009P	SCREW ST 8X3/8 TAB MSH PH NP (PKT10)	
7	545601	PANEL FLOW GUIDE BOTTOM	
NI	556009P	SCREW ST 8X3/8 TAB MSH PH NP (PKT10)	
8	545472	HINGE ASSY NUOVA STAR	
NI	542679P	SCREW MC M5X10 CSK PH BL (PKT10)	
9	546530	KIT O/DOOR LWR OD302 SS	OD
	Includes	CAP DOOR OUTER TOP OD301	
	Includes	GLASS DOOR OUTER	
	Includes	STANCHION DOOR OUTER LH	
	Includes	STANCHION DOOR OUTER RH	
	Includes	RIVET MO/OP 1/8 D-1/8 G	
	Includes	CLIP DOOR EXTRUSION BLACK	
	Includes	DEFLECTOR DOOR OUTER 302	
	Includes	INSULATION DOOR OUTER	
	Includes	INSULATION DOOR OUTER TOP	
	Includes	INSULATION OUTER DOOR TOP	
	<i>Includes 545950</i>	<i>HANDLE OUTER DOOR OD/OS</i>	
	<i>Includes 556345</i>	<i>SCREW MC M4X18 DOOR HANDLE 302</i>	
9	546271P	KIT O/DOOR UPR/SGL OD/OS SS	OD,OS
	Includes	CAP DOOR OUTER OD302 SSLZD	
	Includes	GLASS DOOR OUTER	
	Includes	STANCHION DOOR OUTER LH	
	Includes	STANCHION DOOR OUTER RH	
	Includes	RIVET MO/OP 1/8 D-1/8 G	
	Includes	CLIP DOOR EXTRUSION BLACK	
	Includes	DEFLECTOR DOOR OUTER 302	
	Includes	INSULATION DOOR OUTER	

DOOR OUTER ASSEMBLY

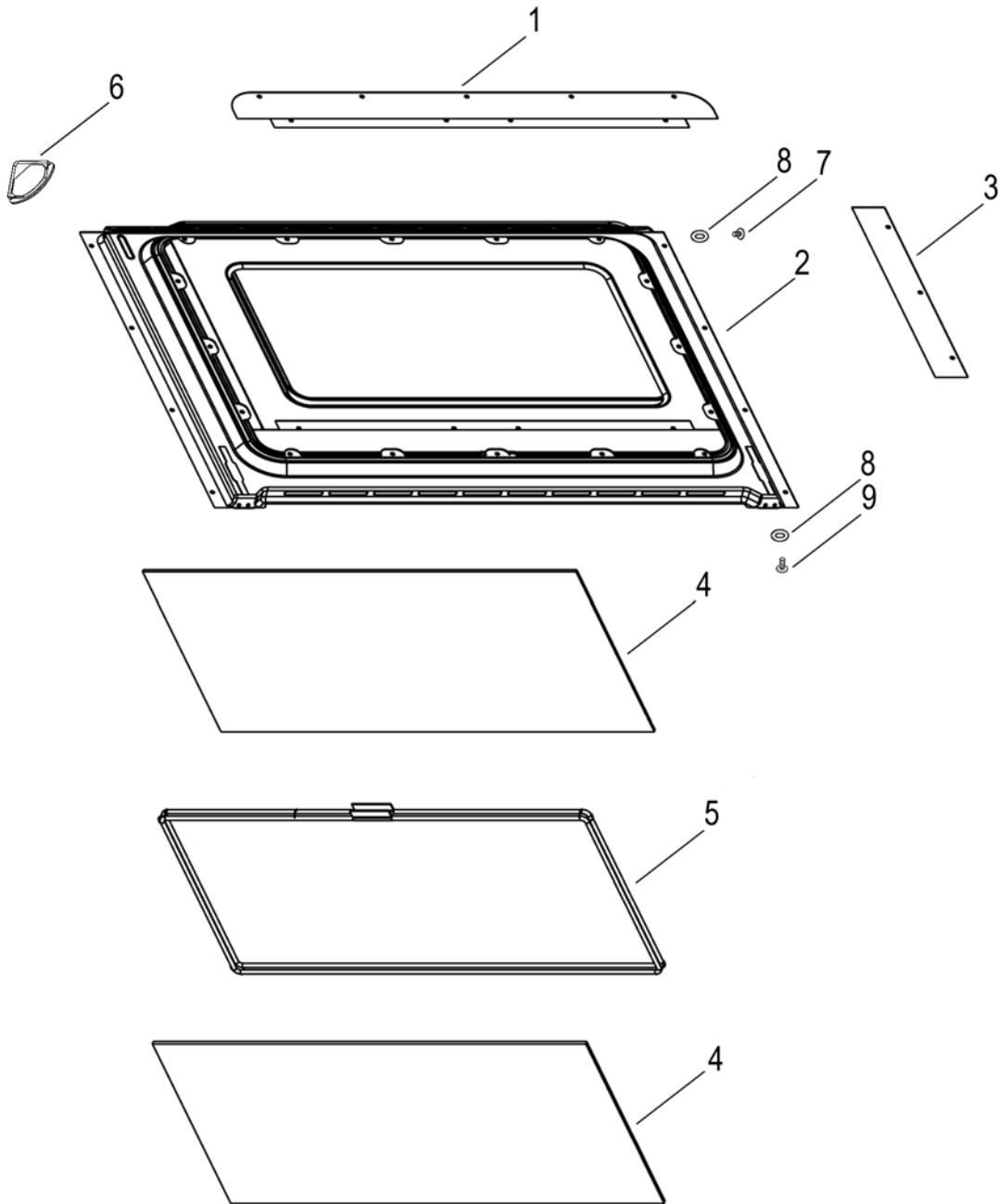


L34-A

DOOR OUTER ASSEMBLY

REF	PART	DESCRIPTION	MODEL
	Includes	INSULATION DOOR OUTER TOP	
	Includes	INSULATION OUTER DOOR TOP	
	<i>Includes 545950</i>	<i>HANDLE OUTER DOOR OD/OS</i>	
	<i>Includes 556345</i>	<i>SCREW MC M4X18 DOOR HANDLE 302</i>	
10	545950	HANDLE OUTER DOOR OD/OS	
11	556345P	SCREW MC M4X18 DOOR HANDLE 302 (PKT10)	

DOOR INNER ASSEMBLY

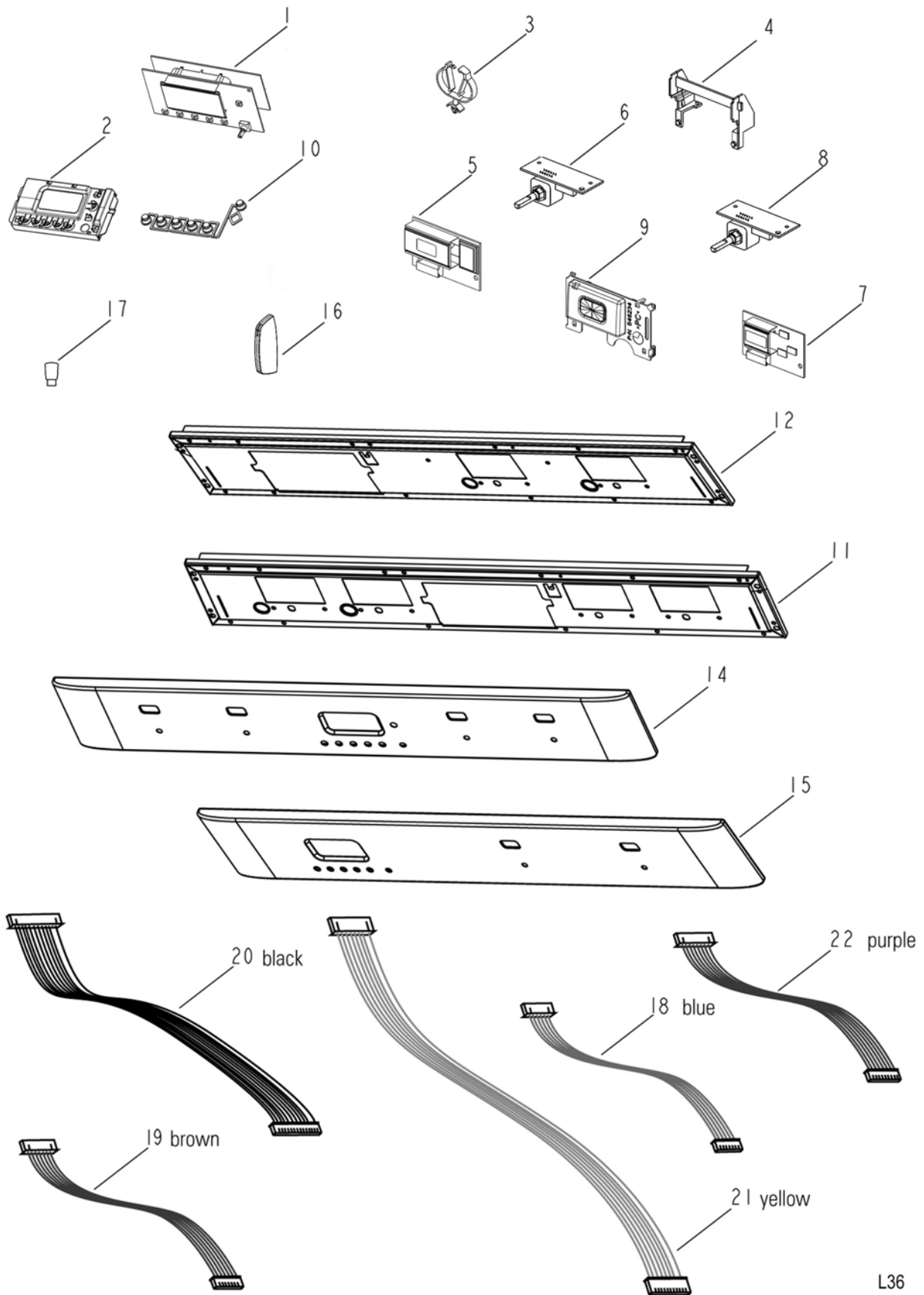


L35

DOOR INNER ASSEMBLY

REF	PART	DESCRIPTION
1	545684	RETAINER INSULATION LOWER
2	545994	KIT INNER DOOR/GASKET ASSY
	Includes	CAP I/DOOR ASSY OD/OS301 ENAM
	Includes	GASKET OVEN DOOR
	Includes	DOOR INNER OD/OS ENAM
	Includes	RETAINER INSULATION LOWER
	<i>Includes 556009P</i>	<i>SCREW ST 8X3/8 TAB MSH PH</i>
	<i>Includes 546202</i>	<i>INSULATION DOOR SIDES/OVEN</i>
	<i>Includes 546201</i>	<i>INSULATION DOOR TOP & BOTTOM</i>
	<i>Includes 545564</i>	<i>RETAINER INSULATION DOOR</i>
3	545564	RETAINER INSUL DOOR
NI	556009P	SCREW ST 8X3/8 TAB MSH PH (PKT10)
4	546380P	GLASS HEAT REFLECT HBII
5	546613	GASKET INNER DOOR CAP
6	545704	BUFFER DOOR
7	556620P	SCREW ST 8X10 TAB MTS BK (PKT10)
8	556504P	WASHER 4.0 10.0 0.8 F/BK (PKT10)
9	546692P	SCREW ST 8X12MM TAB MTS (PKT10)
Non illustrated parts		
NI	546201	INSUL DOOR TOP & BOTTOM
NI	546202	INSULATION DOOR SIDES/OVEN

CONTROL PANEL ASSEMBLY

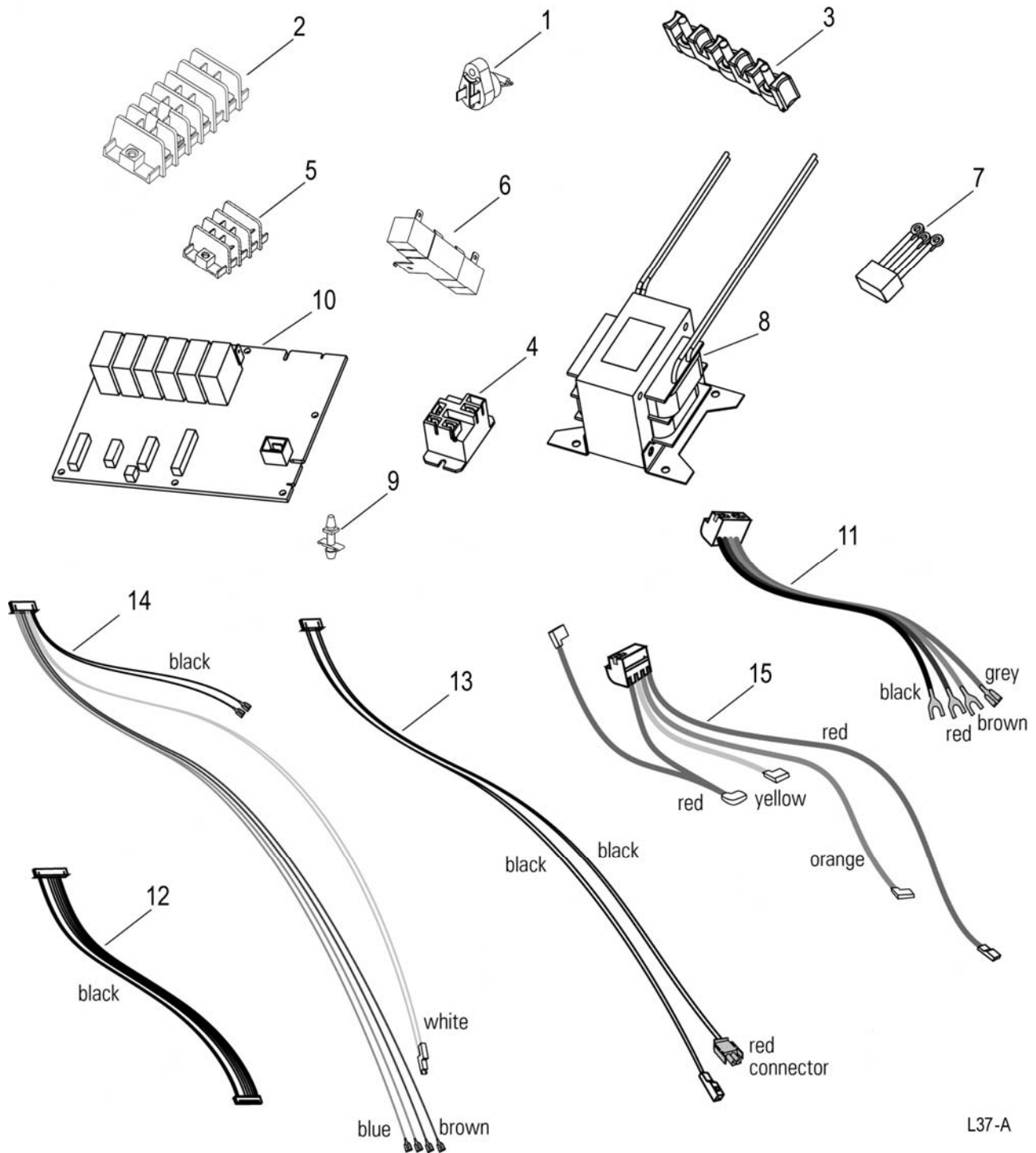


L36

CONTROL PANEL ASSEMBLY

REF	PART	DESCRIPTION	MODEL
1	546757P	KIT CLOCK PCB/LENS TXT SS	
	Includes	ASSY CLOCK PCB OD/OS	
	Includes 545376	LENSE CLOCK OD/OS	
2	545376	LENSE CLOCK OD/OS	
3	545811	CLIP CABLE TWIST HOLDER	
4	545487	HOUSING PCB OD/OS	
5	546228P	ASSY FUNCTION LCD PCB TXT SS	
6	545710P	ASSY FUNCT SWITCH PCB OD/OS	
7	546231P	ASSY TEMP LCD PCB OD/OS SS	
8	545512P	ASSY TEMP SWITCH PCB OD/OS	
9	545550	KIT FUNC TEMP LENS TAPE	
	Includes	LENS FUNCTION TEMP OD/OS	
	Includes	TPDS 3M9473VHB.25X12.7MMX54.8M	
10	545565	BUTTONS MOULDING CLOCK	
11	545981	PANEL CONTROL MOUNTING OD	OD
NI	546692P	SCREW ST 8X12MM TAB MTS (PKT10)	
12	545980	PANEL CONTROL MOUNTING OS	OS
NI	546692P	SCREW ST 8X12MM TAB MTS (PKT10)	
14	546576	KIT CNTRL PANEL OD302 TXT SS	OD
	<i>Includes 545550</i>	<i>KIT FUNC TEMP LENS TAPE</i>	
	<i>Includes 546362</i>	<i>WASHER CONTROL PANEL (X4)</i>	
15	546575	KIT CNTRL PANEL OS302 TXT SS	OS
	<i>Includes 545550</i>	<i>KIT FUNC TEMP LENS TAPE</i>	
	<i>Includes 546362</i>	<i>WASHER CONTROL PANEL (X2)</i>	
16	545289	KNOB FUNCTION TEMP OD/OS	
NI	546362P	WASHER CONTROL PANEL (PKT10)	
17	545291	KNOB CLOCK TWIST OD/OS	
18	555798	HARNESS PCB LCD 6W BUS	
19	555797	HARNESS DBL FUNCT TEMP 8W BUS	
20	555712	HARNESS CLOCK GENERIC 12W BUS	
21	555791	HARNESS CLOCK FUNCT 8W BUS	
22	555707	HARNESS SGL FUNCT TEMP 8W BUS	OD

ELECTRONIC ASSEMBLY

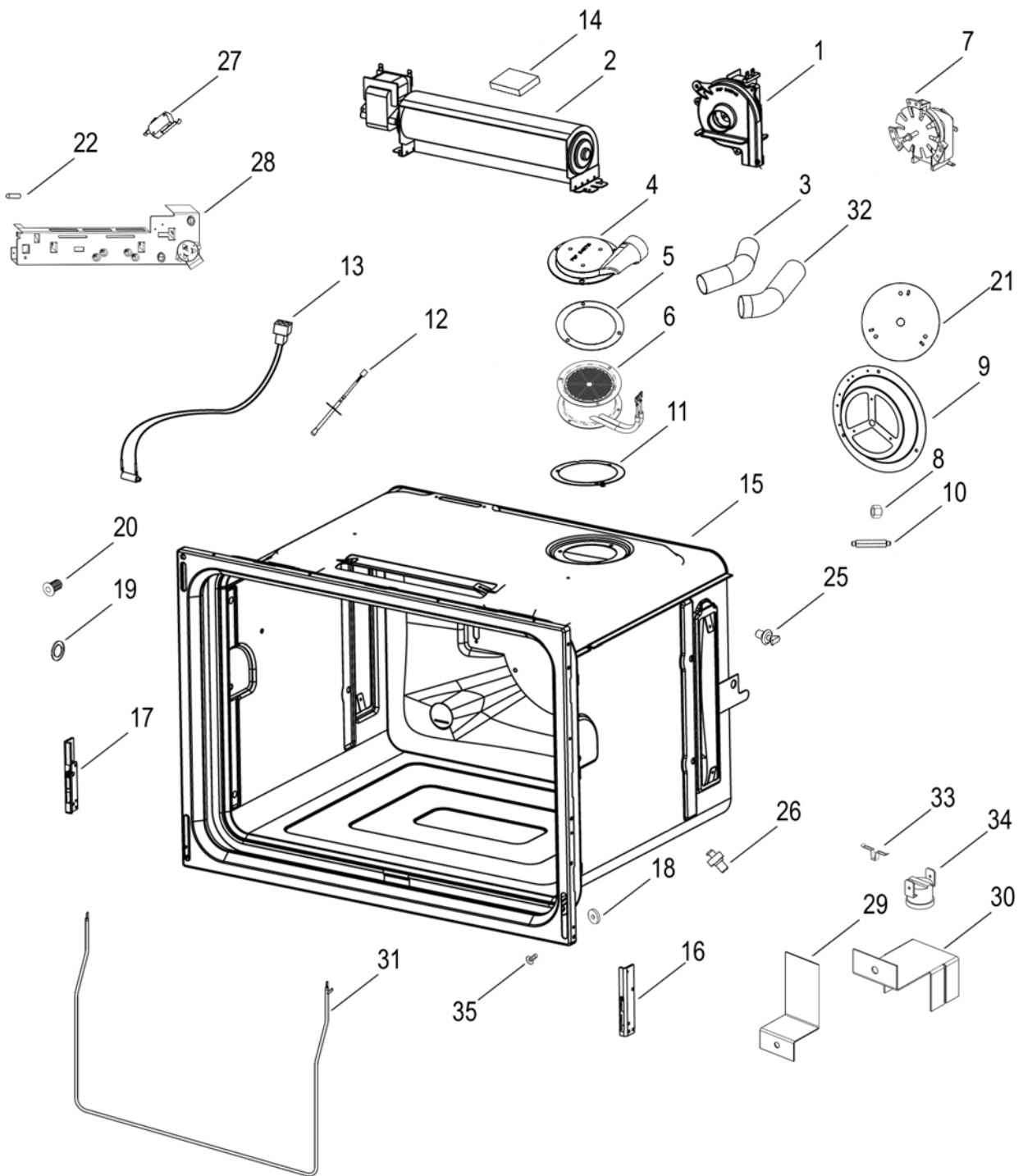


L37-A

ELECTRONIC ASSEMBLY

REF	PART	DESCRIPTION	MODEL
1	545866	LIMITER MICROTEMP	
2	546669	DISTR BLOCK 302B	
NI	556009P	SCREW ST 8X3/8 TAB MSH PH (PKT10)	
3	545281	TERMINAL BLOCK	
NI	542792P	SCREW ST 8X1TAB PAN PH NP (PKT10)	
4	545656	RELAY ISOLATING T9A TYC	
NI	542806P	SCREW 4X3/4 TAB PAN PH NPIncl	
5	545665	TERM BLOCK LIGHTS OK501-002/1	
6	546550	RESISTOR 50w 120V 100 OHM	
NI	556009P	SCREW ST 8X3/8 TAB MSH PH NP (PKT10)	
7	545869	CAPACITOR Y-CAP 4700 ASSY	
8	546529P	TRANSFORMER US 120V 302	
NI	556009P	SCREW ST 8X3/8 TAB MSH PH NP (PKT10)	
9	545456	SPACER SUPPORT PCB	
10	546670P	POWER MODULE ROHS	
11	555868	HARNESS GEN LIGHT DIST BLOCK	
12	555799	HARNESS GENXGEN 12WX9W 302	OD
13	555872	HARNESS TEMP SENS MT PROBE UPR	OD,OS
	555873	HARNESS TEMP SENS MT PROBE LWR	OD
14	555748	HARNESS ISO DR LCK SWTCH UPR	OD,OS
	555870	HARNESS ISO DR LCK SWTCH LWR	OD
15	555990	HARNESS GEN CFAN VFAN UPR 200	OD,OS
	555867	HARNESS GEN CFAN VFAN LWR	OD

CAVITY & COMPONENTS

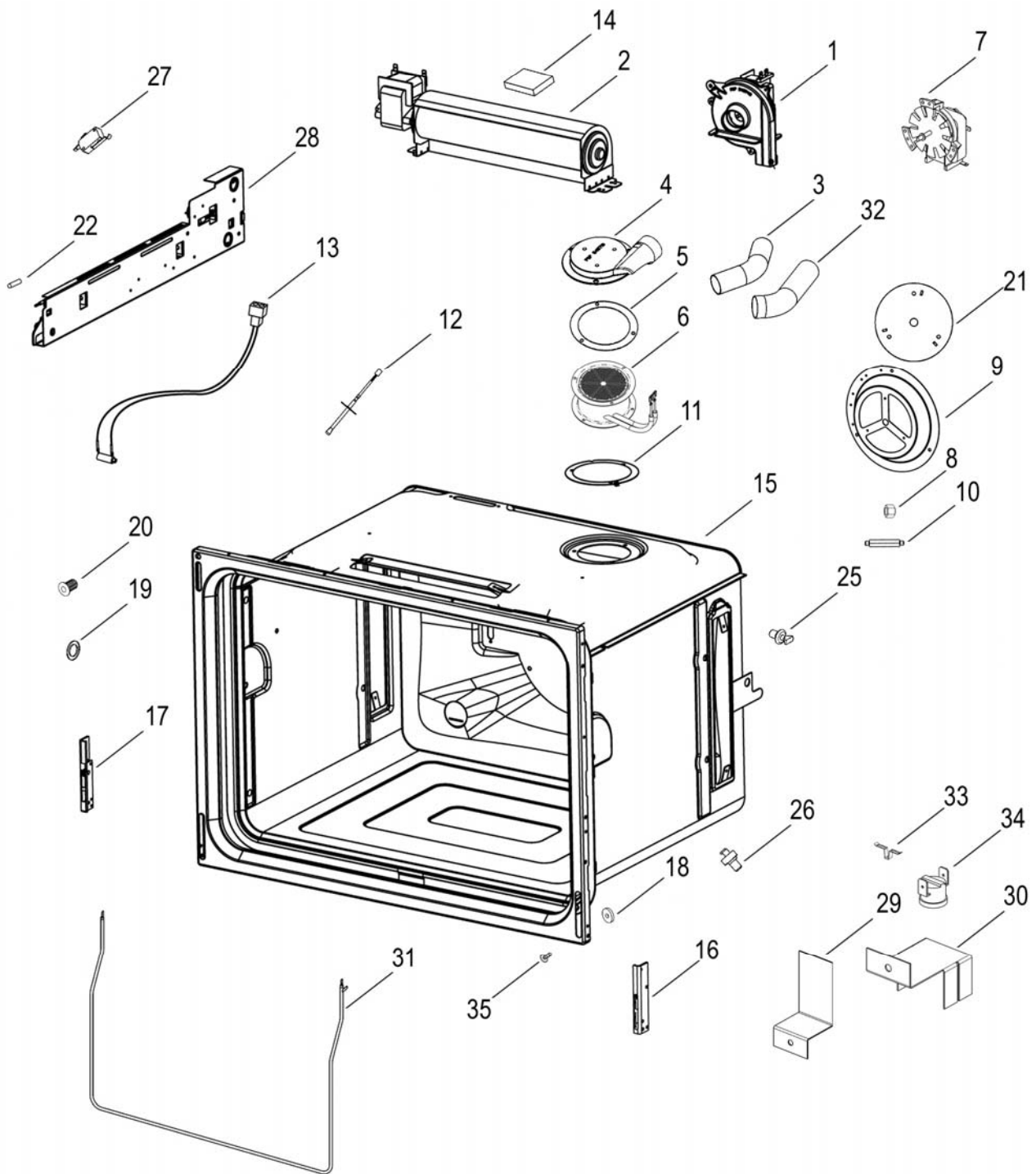


L38

CAVITY & COMPONENTS

REF	PART	DESCRIPTION	MODEL
1	545750P	EXHAUST FAN ASSY (VENT FAN)	
NI	556009P	SCREW ST 8X3/8 TAB MSH PH NP (PKT10)	
2	546564P	KIT COOLING FAN SPARES	
	Includes	BRACKET LOWER COOLING FAN	
	Includes	FAN COOLING 120V US	
	Includes	SCREW ST 4X3/8PLSTITE CSKPH NP	
	Includes	BRACKET CNTRL GLASS/FAN WO600	
	Includes	FOAM TAB EPDM 6X25X35 (FIRM)	
	Includes	FOAM STRIP EPDM 3X580X10S/SOFT	
	Includes	FOAM TAB SILICONE 6X25X25	
NI	556009P	SCREW ST 8X3/8 TAB MSH PH NP (PKT10)	
3	545717	TUBE UPPER	
4	545716	EXHAUST CAP	
NI	556012P	SCREW ST 1024X1/2 T23HXW (PKT10)	
5	545720	GASKET EXHAUST	
6	NS	SMOKE ELIMINATOR – NOT AVAILABLE AS A SPARE PART	
7	545039P	FAN KITSET OVEN INT	
NI	556037P	SCREW ST 8X5/8 TAB PAN PHSR NP (PKT10)	
8	542808P	NUT M5 HEX FS MS NIPL (PKT10)	
9	545062	PLATE FAN MOUNTING	
10	545059	STUD FAN MOUNTING	
11	NS	GAUZE ASSY – NOT AVAILABLE AS A SPARE PART	
12	545259	SENSOR OVEN TEMP CYNTEC 3	
NI	556009P	SCREW ST 8X3/8 TAB MSH PH NP (PKT10)	
13	546283	KIT MEAT PROBE SOCKET	
	Includes	SOCKET MEAT PROBE	
	Includes	HARNESS MEAT PROBE	
14	545970	FOAM TAB EPDM 6X25X35 (FIRM)	
15	NS	OVEN CAVITY - NOT AVAILABLE AS A SPARE PART	
16	545518	COUNTER SUPPORT ASSY RH	
	Includes	HINGE COUNTER SUPPORT NUOVA	
	<i>Includes 546694</i>	<i>SCREW MC M5X8 PAN PH MS NP</i>	
	Includes	BRACKET COUNTER SUPPORT RIGHT	

CAVITY & COMPONENTS

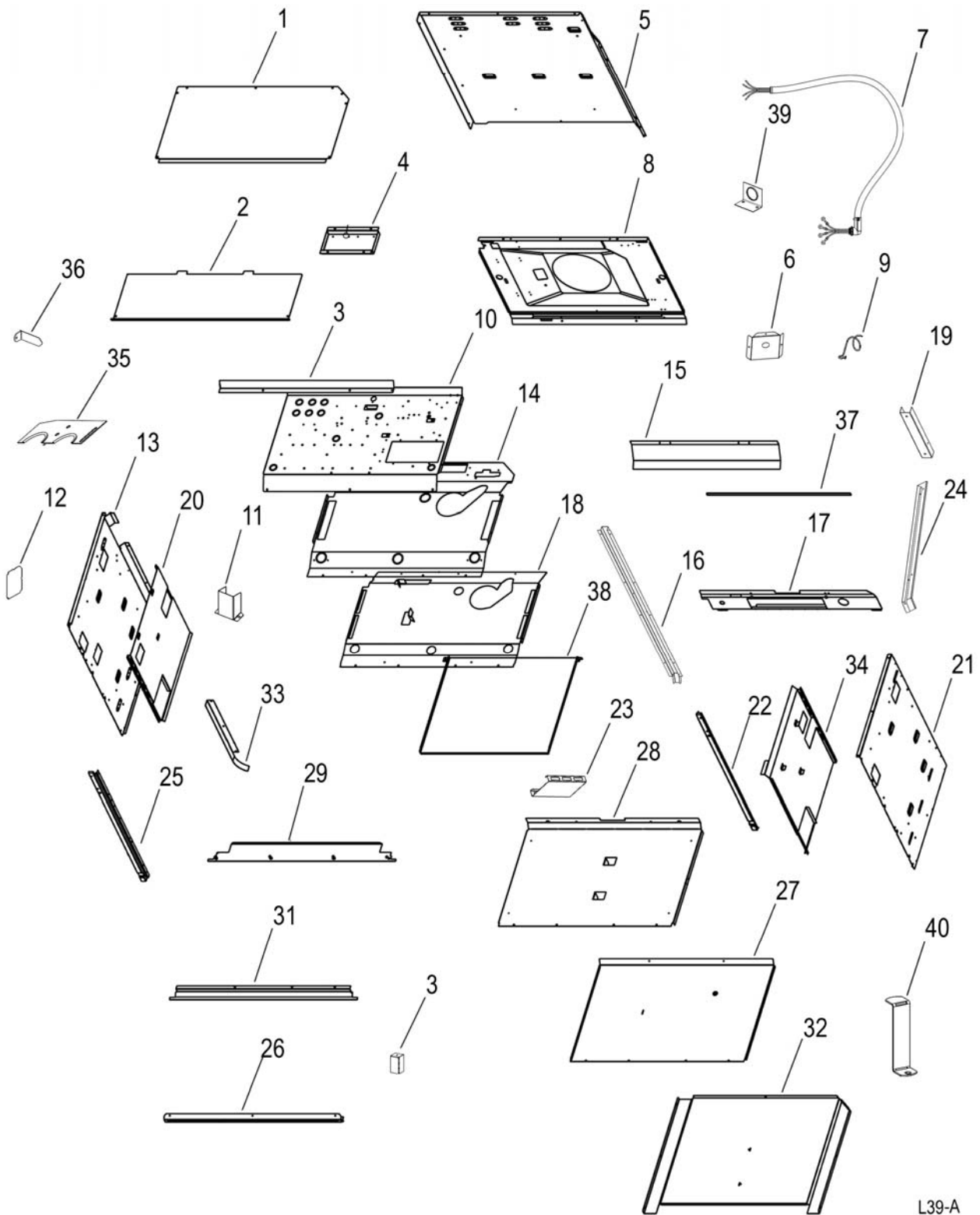


L38

CAVITY & COMPONENTS

REF	PART	DESCRIPTION	MODEL
NI	546693P	SCREW ST 8X12MM TAB MTS PH BK (PKT10)	
NI	556504P	WASHER 4.0 10.0 0.8 F/BK (PKT10)	
17	545519	COUNTER SUPPORT ASSY LH	
	Includes	HINGE COUNTER SUPPORT NUOVA	
	<i>Includes 546694</i>	<i>SCREW MC M5X8 PAN PH MS NP</i>	
	Includes	BRACKET COUNTER SUPPORT LEFT	
NI	546696P	SCREW ST 8X12MM TAB MTS (PKT10)	
NI	556504P	WASHER 4.0 10.0 0.8 F/BK (PKT10)	
18	545455P	INSULATOR UPRIGHT TO FRAME (PKT10)	
19	545867	WASHER FIBRE BEZEL	
20	545832	BEZEL DOOR SENSOR	
NI	546683P	NUT M8 HEX 10AF FS MS ZPNL (PKT10)	
21	545612	PLATE HEAT DEFLECTOR FAN	
22	545845	BUFFER DOOR SENSOR	
25	546583	STUD HANGER RUNNERS	
26	546584	PIN RACK FIXING	
27	546266	SWITCH LOCK (UL/VDE)	
28	546776	KIT LOCK ASSY UPPER	OS/OD
	Includes	LOCK ASSY DOOR	
	<i>Includes 555748</i>	<i>HARNESS ISO DR LCK SWCH UPR</i>	
	546777	KIT LOCK ASSY LOWER	OD
	Includes	LOCK ASSY DOOR	
	<i>Includes 555870</i>	<i>HARNESS ISO DR LCK SWCH LWR</i>	
NI	545995	KIT ASSTD FASTENERS 545 LOCK	
	Includes	WASHER 4.0 10.0 0.4 RED FIBRE (X1)	
	Includes	RETAINING RING E 2-3 (X3)	
	Includes	PIN LINKAGE (X2)	
	Includes	SPACER SWITCH LOCK (X4)	
	Includes	SPRING DOOR SENSOR (X1)	
	Includes	NUT M3 HEX HS MS NIPL (X4)	
	Includes	SCREW M3X20 PH PAN NIPL (X4)	
	Includes	WASHER LOCK 3MM INT SERR ST ZP (X4)	
29	546722	TONGUE LIMITER UPPER	OD
30	546737	TONGUE LIMITER LOWER	OS/OD
31	NS	ELEMENT THROAT – NOT AVAILABLE AS A SPARE PART	
32	545726	TUBE EXHAUST LOWER	OD
33	540789	CLIP DOUBLE LIMITER CAMPINI	
34	546719	LIMITER THERMAL NON RESET 140	
35	542732P	SCREW WS 8X1 TWINFEST CSKPZ BK (PKT10) (CABINET SCREW)	

CHASSIS ASSEMBLY

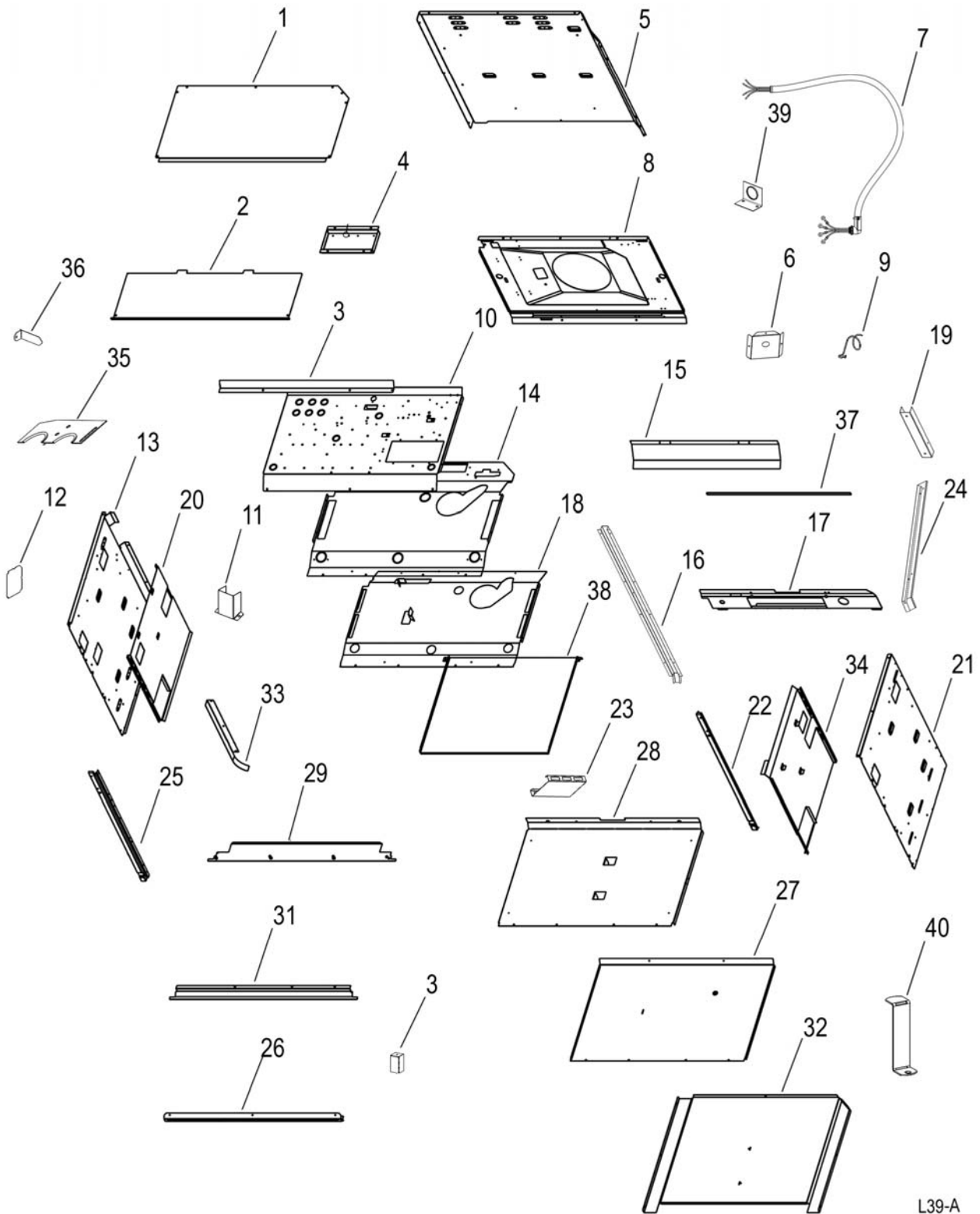


L39-A

CHASSIS ASSEMBLY

REF	PART	DESCRIPTION	MODEL
1	546255P	PANEL TOP	
2	545962P	PANEL SERVICE	
NI	556009P	SCREW ST 8X3/8 TAB MSH PH NP (PKT10)	
3	545680	COVER LIGHT BLACK	
NI	556620P	SCREW ST 8X10 TAB MTS PH BLACK (PKT10)	
4	545662	PANEL MOUNTING TRANSFORMER	
5	545992P	PANEL SINGLE REAR	OS
	545993P	PANEL DBL REAR	OD
6	545365	PANEL CABLE CONNECTOR	
NI	556009P	SCREW ST 8X3/8 TAB MSH PH NP (PKT10)	
7	545350	CABLE POWER ASSY RANGE US	
8	545626	PANEL INSULATION REAR	
	545654	PANEL INSULATION REAR LOWER	OD
NI	556009P	SCREW ST 8X3/8 TAB MSH PH NP (PKT10)	
9	545874	WIRE STANDOFF COIL	
10	545274	DUCT COOLING INLET ENVIRONMENT	
11	545890	COVER LIGHT SOCKET	
NI	556620P	SCREW ST 8X10 TAB MTS BK (PKT10)	
12	545661	PANEL SERVICE SWITCH	
13	545983P	PANEL SIDE LH OS	OS
	545985P	PANEL SIDE LH OD	OD
NI	556009P	SCREW ST 8X3/8 TAB MSH PH (PKT10)	
14	545273	DUCT COOLING INLET BASE	
15	545548	PANEL FLOW GUIDE	
16	545753	EXHAUST DUCT DOUBLE	OD
	545752	EXHAUST DUCT SINGLE	OS
NI	556009P	SCREW ST 8X3/8 TAB MSH PH (PKT10)	
17	545630	COVER FAN LOWER	OD
18	545451	VENT DOUBLE BOTTOM	OD
19	545755	EXHAUST DUCT REAR	OD
20	545362	DUCT SIDE LH	
21	545986P	PANEL SIDE RH OD	OD
	545984P	PANEL SIDE RH OS	OS
NI	556009P	SCREW ST 8X3/8 TAB MSH PH (PKT10)	
22	545562	UPRIGHT RIGHT OD BLK	OD
	545558	UPRIGHT RIGHT OS BLK	OS
23	545370	PANEL HINGE COVER	

CHASSIS ASSEMBLY

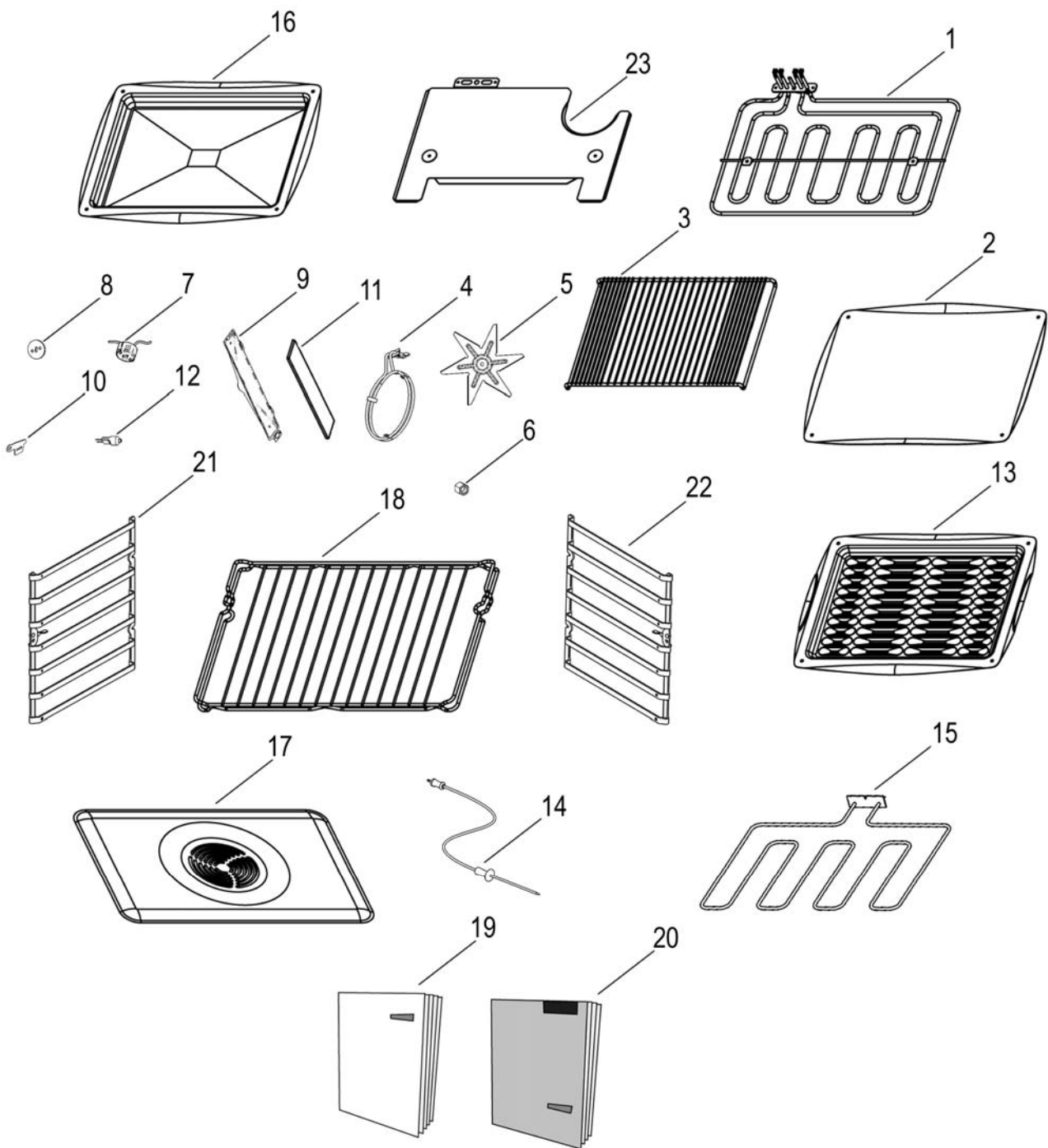


L39-A

CHASSIS ASSEMBLY

REF	PART	DESCRIPTION	MODEL
24	545754	EXHAUST DUCT LOWER	OD
NI	556009P	SCREW ST 8X3/8 TAB MSH PH NP (PKT10)	
25	545561	UPRIGHT LEFT OD BLK	OD
	545557	UPRIGHT LEFT OS BLK	OS
26	546103	COVER DUCT DOUBLE BLACK (LOWER)	OD
	545481	COVER DUCT BLACK – SGL & DBL UPPER	
NI	556620P	SCREW ST 8X10 TAB MTS PH BLACK (PKT10)	
27	545450	VENT DOUBLE TOP	OD
28	545989	DUCT COOLING OUTLET	
29	545937	VENT OUTLET BOTTOM ASSY BLACK	
NI	546696P	SCREW ST 8X12MM TAB MTS (PKT10)	
30	545563	FOOT SUPPORT	
31	545478	VENT OUTLET TOP BLACK	
32	545934	PANEL BASE	
NI	556009P	SCREW ST 8X3/8 TAB MSH PH NP (PKT10)	
33	546253	RETAINER INSUL SIDE VENT	
34	546180	DUCT SIDE RH	
35	545823	PANEL COVER WIRING	
36	545880	BRACKET CONTROL PANEL	
37	545973	FOAM STRIP EPDM 3X580X10S	
38	545061	TRAY LOWER ELEMENT	
39	546593	PLATE CABLE ENTRY	
40	546549	BRACKET SUPPORT TOP	
Non illustrated parts			
NI	542776P	SCREW MC M6X25 HEX MS NP (PKT10) (EARTH POST)	
NI	556157P	NUT M6 HEX HS MS NIPL (PKT10)	
NI	556510P	WASHER LOCK 6MM INT SERR ST BU (PKT10)	
NI	542794P	WASHER SPRING 6MM ST ZNPL (PKT10)	

ELEMENTS & ACCESSORIES



L40-A

ELEMENTS & ACCESSORIES

REF	PART	DESCRIPTION
1	545822	ELEMENT GRILL ASSY
NI	556009P	SCREW ST8X3/8 TAB MSH PH NP (PKT10)
2	546297P	TRAY BAKING
3	541817	RACK GRILL INSERT BI602 PLATED
4	545485	ELEMENT FAN EGO 20.40474.000
NI	556009P	SCREW ST 8X3/8 TAB MSH PH (PKT10)
5	545610	FAN BLADE SS EBM
6	545611	LOCKNUT FAN SS EBM
7	546179	HOLDER BULB G4 T250 – US
8	546183	INSULATOR LAMP HOLDER
9	546260	LAMP BODY HALOGEN
NI	556623P	SCREW MC M3X10 PAN PH MS NIPL (PKT10)
10	545728	CLIP LAMP GLASS
11	545212	GLASS LAMP HALOGEN
12	545204	LAMP HALOGEN 20W
13	545607P	GRID BROILER BU DIA
14	545429	PROBE MEAT OD/OS
15	545757	ELEMENT BASE EGO 20.40476.000
16	545959P	PAN BROILER A BU DIA
17	545482P	SHROUD FAN OD/OS301 ENAM
NI	556009P	SCREW ST 8X3/8 TAB MSH PH (PKT10)
18	546480	RACK 302
19	546199	BOOK SET 302 US
	Includes	BOOK USER GUIDE US
	Includes	BOOK INSTAL INSTR US
20	545620	BOOK RECIPE OS/OD – US
21	546520	RUNNER ASSY LEFT
22	546533	RUNNER ASSY RIGHT
23	545996P	REFLECTOR GRILL ELEMENT
Non illustrated parts		
NI	545455P	INSULATOR UPRIGHT TO FRAME (PKT10) (CABINET SPACER)
NI	542732P	SCREW WS 8X1 TWINFST BK (PKT10) (CABINET SCREW)
Available as accessories		
NI	89017	ACPROD PIZZA STONE
	Includes	PIZZA STONE
	Includes 447813	PIZZA PADDLE
	Includes	CARD ACCESSORIES COOKING GUIDE
NI	447336P	TRAY GLASS MOULD 2225 465X353

NOTES