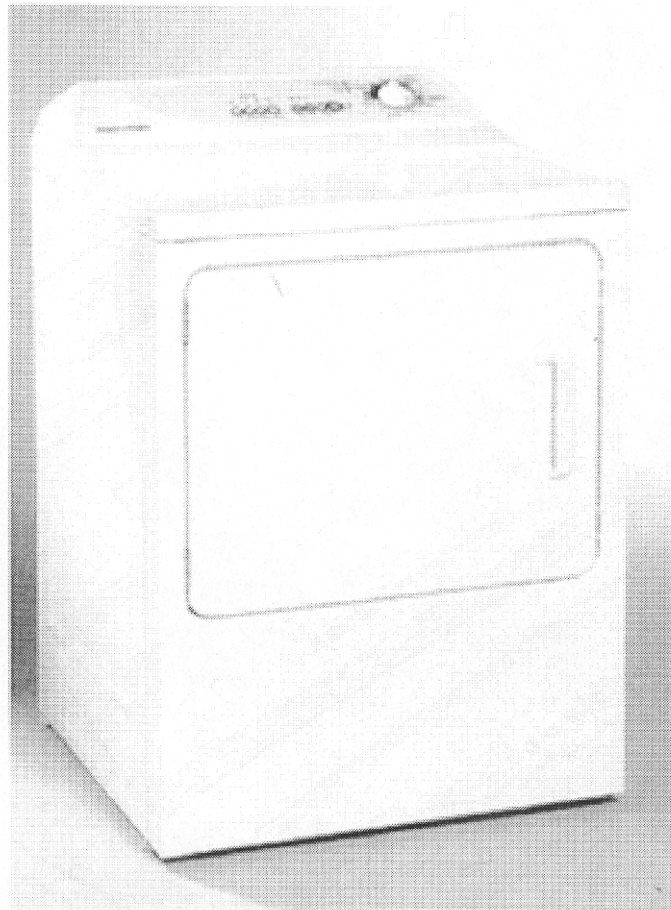


## DRYERS

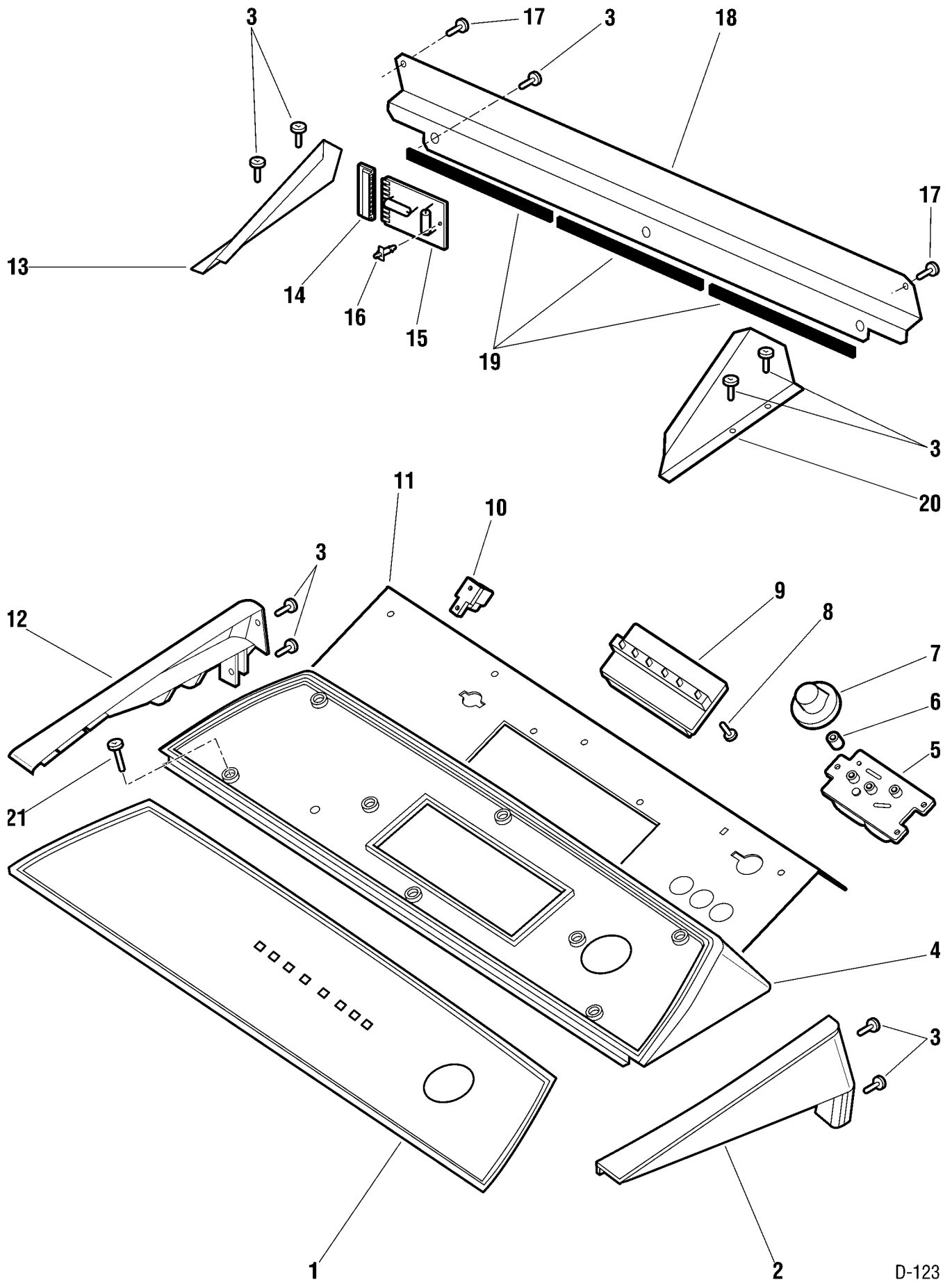
### MODELS

**DE08-US1**

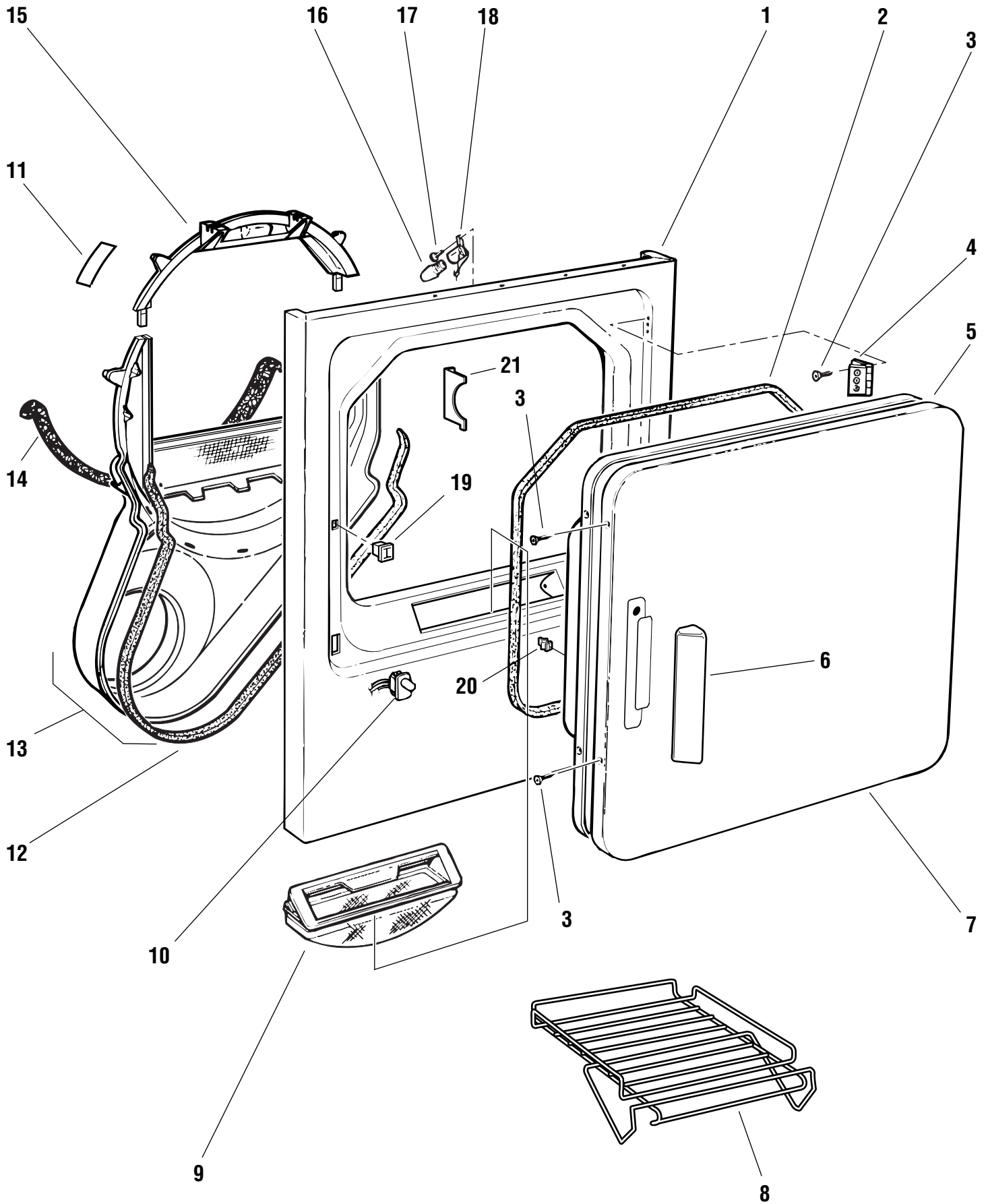
**ELECTRIC**











CABINET FRONT & DOOR			
ITEM	PART NUMBER	DESCRIPTION	Model DE08-US1
1A	WE20M254	Front cabinet (white)(see note)	1
1B	WE2X263	Screw	2
1C	WE1M510	Plate, dampening	1
2	WE9M13	Gasket	1
3	WE2M153	Screw	10
4	WE1M505	Hinge	2
5	WE10M92	Panel, inner door (white)	1
6	WE1M463	Handle (white)	1
7	WE10M102	Panel, door (white)	1
8	notused		
9	WE18M19	Lint trap	1
10	WE4M126	Switch, door	1
11A	WE1M507	Slide, drum (green)	2
11B	WE1M504	Slide, drum (white)	2
12	WE1M376	Gasket	1
13	WE14M92	Duct, air w/sensor	1
14	WE9M15	Felt	1
15	WE3M20	Bearing, drum	1
16	WE4X718	Lamp	1
17	WD2M101	Screw	1
18	WE5M16	Socket asm.	1
19	WE1M536	Latch, door	2
20	WE1X1192	Strike	1
21		Part of item #13	
	<b>Not Illustrated</b>		
A	WE1M384	Plug button, hinge holes (white)	4
		Note: When replacing front cabinet, also order item 1C dampening plate	
		Use with D-180	

