



Parts Manual Clothes Dryer

Model:
DG09-US4

Product Code:
96981

care

96981-4

PRODUCT

Brand Fisher & Paykel
Model DG09-US4
Product Code 96981

Fisher & Paykel Appliances Inc

5800 Skylab Rd,
Huntington Beach
California, CA92647
USA

Telephone: 888 936 7872

E-mail: customer.care@fisherpaykel.com

CONTENTS

CABINET AREA	6
FRONT PANEL AREA	8
DRUM AREA.....	10
MOTOR AREA	12
GAS BURNER AREA.....	14
WIRING DIAGRAM	17

GUIDE TO USING THIS MANUAL

The model covered by this manual is listed on the front cover.

The information detailed in this manual is subject to change without notice. The latest version is indicated by the reprint date and replaces any earlier editions.

The front cover picture shows the type of product and may not necessarily be an exact image of the model covered by the manual.

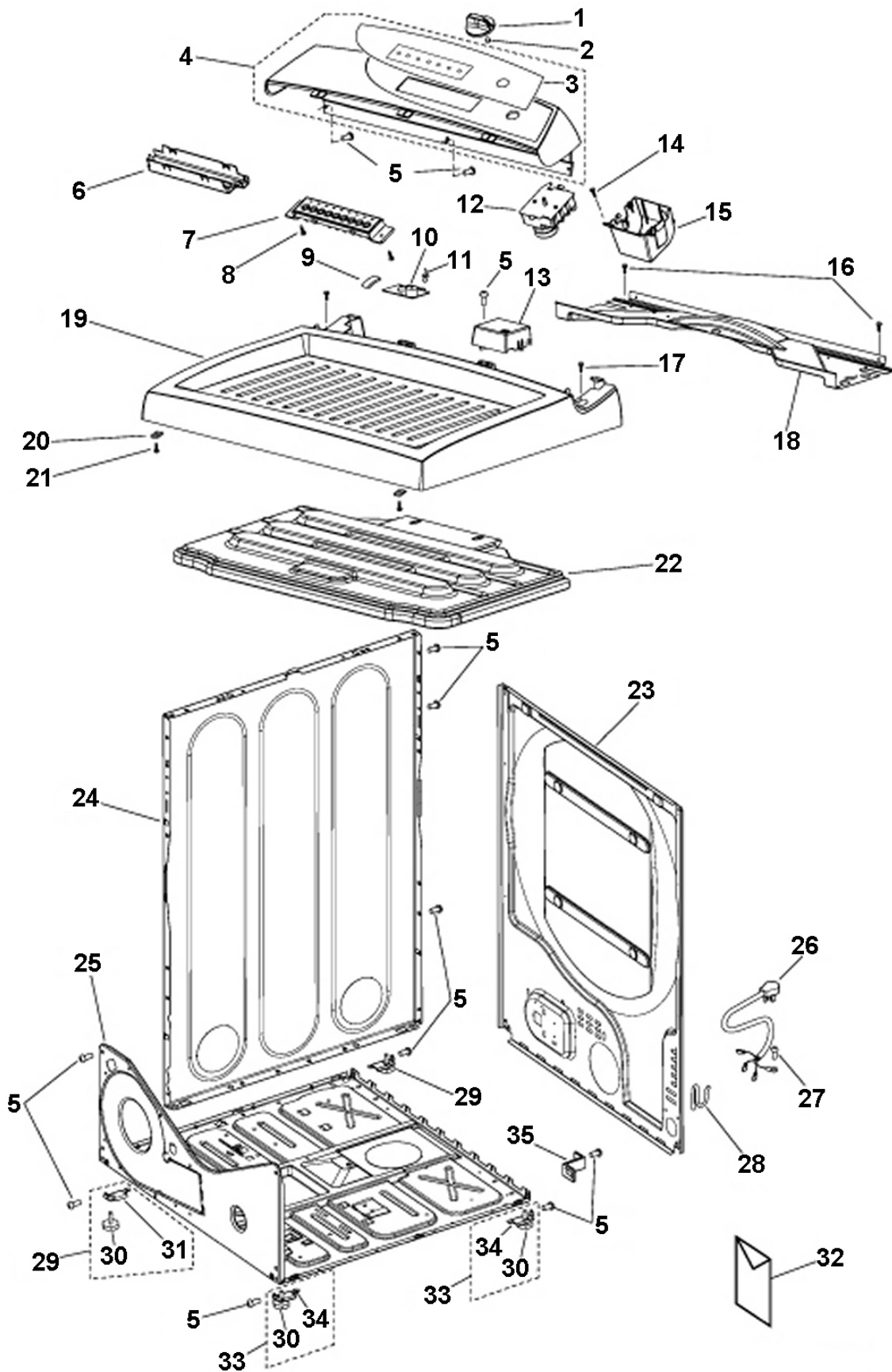
Kit Parts

The components shown in *italics with a part number* are those parts in the kit which are available also as separate items. In addition, some parts may be supplied with this kit which are not available as separate items and are therefore either not listed or a part number is not shown against the part description in this manual.

Parts List Key

NOT USED	As a part, indicates the diagram part reference is not used in this manual.
<i>italics</i>	Kit components or parts included are shown in <i>italics</i> . Refer to above notes: Kit Parts
NI	As a part reference, indicates the part is not illustrated on the diagram.

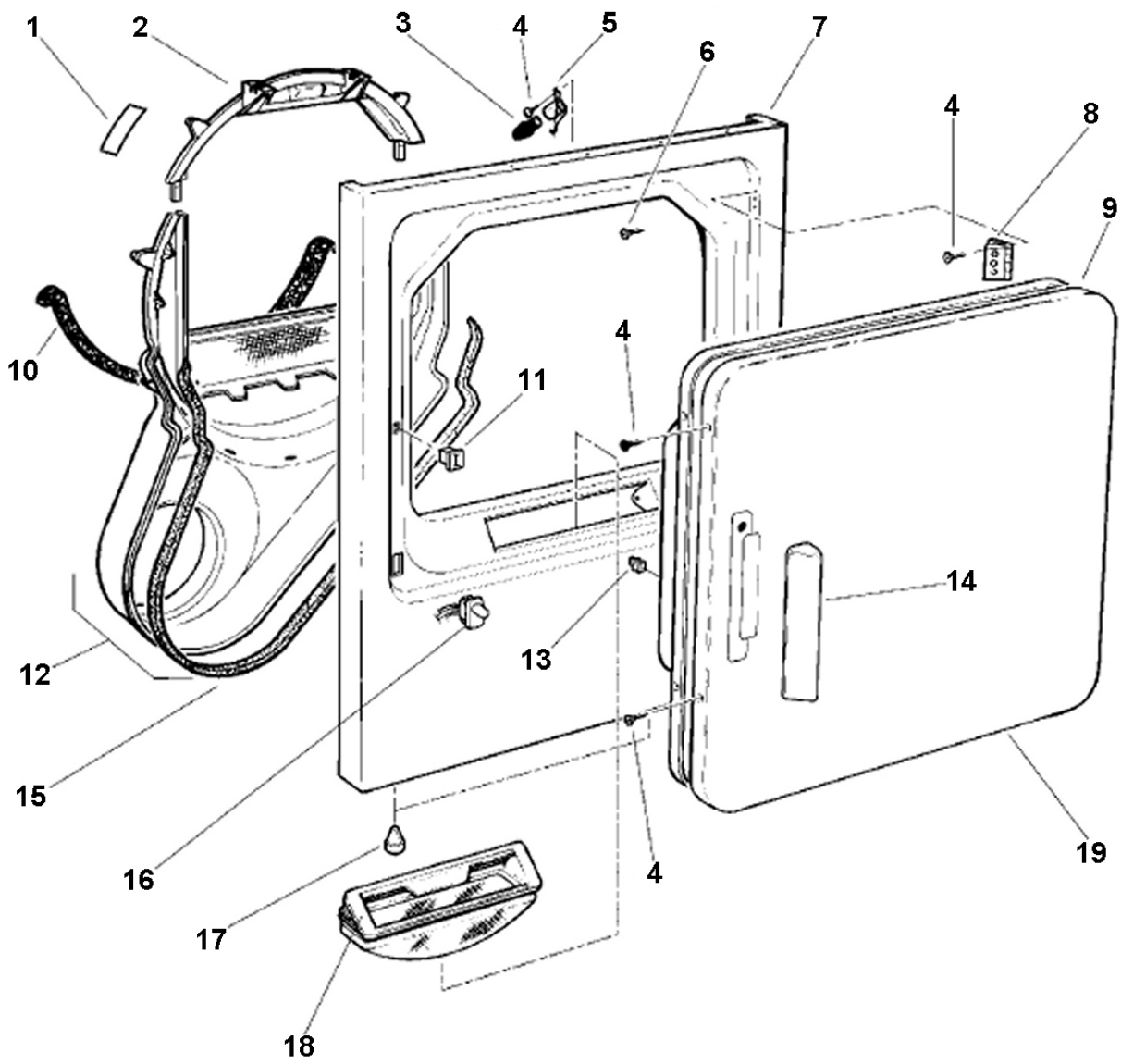
CABINET AREA



CABINET AREA

REF	PART	DESCRIPTION
1	WE1M646	TIMER KNOB ASSY
2	WE1X980	CLIP KNOB
3	WE19M1465	TOUCH PAD
4	WE19M1464	CONSOLE ASSY
5	WE2X263	SCREW
6	WE1M645	LOW TRAVEL SWITCH COVER
7	WE4M348	LOW TR. SWITCH
8	WD2X322	SCREW
9	WE1M419	HOUSING PC BOARD
10	WE4M272	PC BOARD
11	WE1M418	LOCKING C.B. SUPPORT
12	WE4M321	TIMER
13	WE1M647	P.C. BOARD COVER
14	WE2M211	SCREW 8-10 7/16"
15	WE1M648	TIMER COVER
16	WE2M154	SCREW
17	WE2M189	SCREW
18	WE20M253	BOTTOM COVER
19	WE20M340	TOP DECK ASSY
20	WE2M225	SPEED NUT
21	WE2M160	SCREW #8
22	WE20M339	HEAT SHIELD
23	WE20M301	REAR PANEL 6 C.F.
24	WE20M393	SIDE PANEL WHITE
25	WE20M390	CABINET BASE BOTTOM
26	WE26M335	CORDSET 120V
27	WZ5X158	SCREW GROUND
28	WE1M155	CORDSET CLIP
29	WE1M468	REAR LEVELLING ASSY
	<i>Includes WE1M528</i>	<i>REAR SUPPORT</i>
	<i>Includes WE1M642</i>	<i>LEVELING SCREW</i>
30	WE1M642	LEVELING SCREW
31	WE1M528	REAR SUPPORT
32	WE6M604	USE & CARE ENGLISH/SPANISH
33	WE1M467	FRONT LEVELLING ASSY
	<i>Includes WE1M527</i>	<i>FRONT SUPPORT</i>
	<i>Includes WE1M642</i>	<i>LEVELING SCREW</i>
34	WE1M527	FRONT SUPPORT
35	WE1X617	PIPE CLAMP GAS

FRONT PANEL AREA

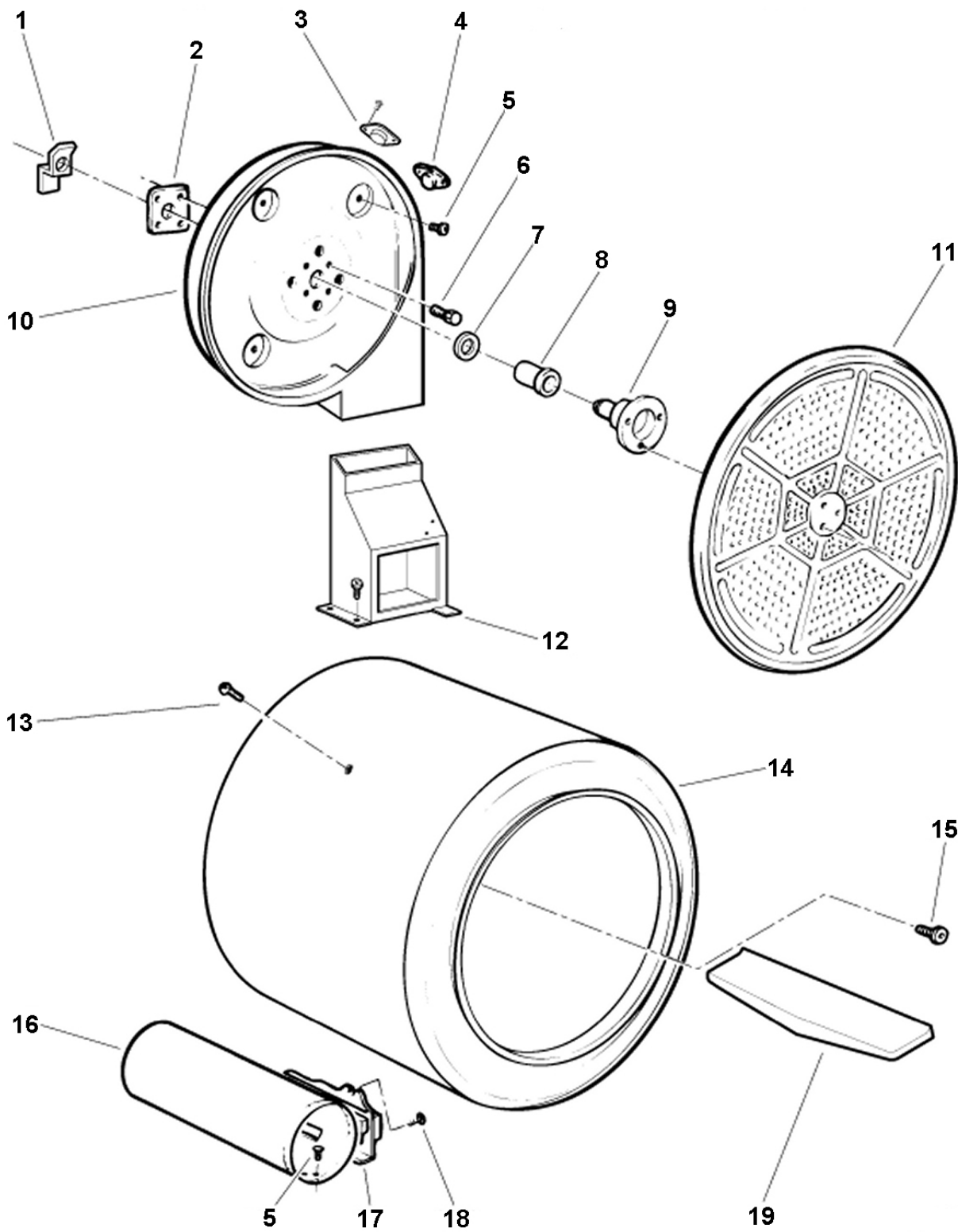


D-355

FRONT PANEL AREA

REF	PART	DESCRIPTION
1	WE1M507	SLIDE GREEN
	WE1M504	SLIDE WHITE
2	WE3M26	TOP BEARING
3	WE4M305	LAMP
4	WE2M196	SCREW #8
5	WE5M48	SOCKET ASSY
6	WE1M384	BEAUTY BUTTON WHITE
7	WE20M254	FRONT PANEL WHITE
NI	WE1M510	DAMPENING PLATE
8	WE1M511	HINGE WHITE
9	WE10M109	INNER DOOR ASSY WHITE
10	WE9M30	FELT
11	WE1M536	LATCH
12	WE14M92	AIR DUCT
NI	WE1M575	SENSOR ROD
13	WE1X1192	STRIKE
14	WE1M463	HANDLE WHITE
15	WE00M169	GASKET (SEAL)
16	WE4M126	DOOR SWITCH
17	WE2M188	STABILIZING LEG ASSY
18	WE18M25	FILTER WHITE
19	WE10M102	DOOR PANEL WHITE

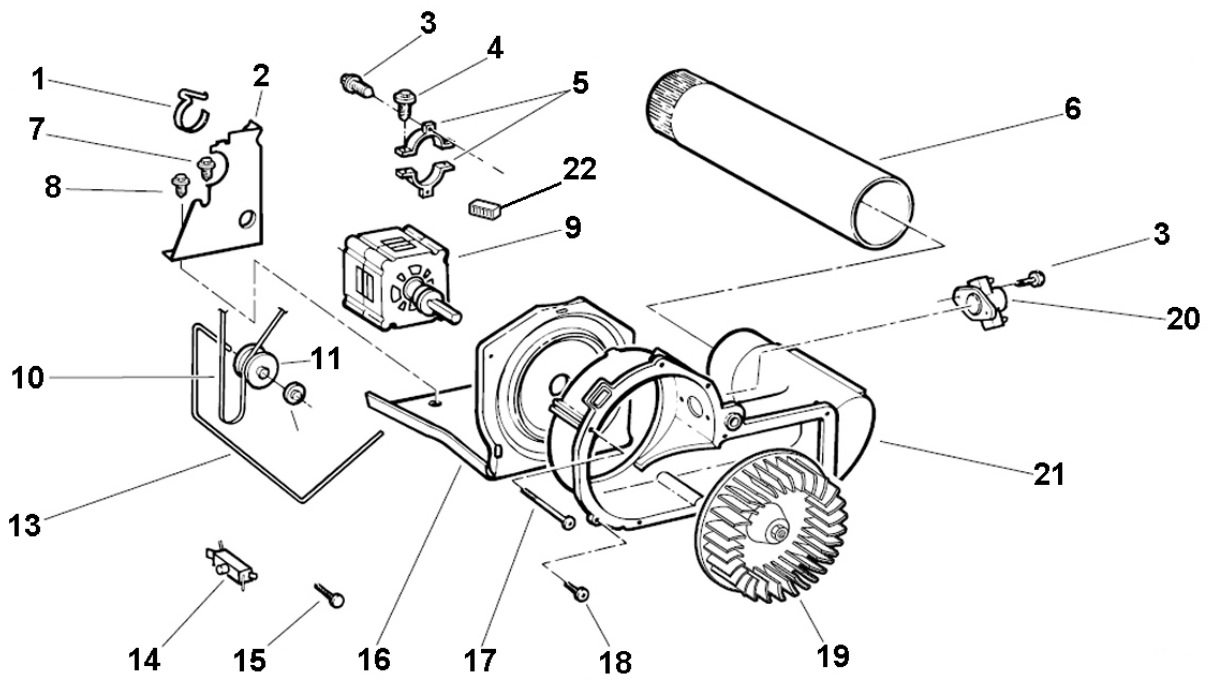
DRUM AREA



DRUM AREA

REF	PART	DESCRIPTION
1	WE1M554	GROUND STRAP ASSY
2	WE1M300	BEARING RETAINER
3	WE4M80	THERMOSTAT
4	WE4M137	THERMOSTAT SECURITY
5	WE2X263	SCREW
6	WE2X263	SCREW
7	WE1M461	"O" RING
8	WE1M462	BEARING DRUM SLEEVE
9	WE3X39	SHAFT & BRACKET ASSY
10	WE14M134	GAS DIFFUSEUR & PLATE ASSY
11	WE14M77	DEFLECTOR HEAT
12	WE14M88	DUCT TRANSITION
13	WE2M174	SCREW #10
14	WE21M14	DRUM ASSY 6.0 CU.FT
15	WE2M163	SCREW #10
16	WE14M91	COMBUSTION CHAMBER 6 CU. FT.
17	WE4X448	DETECTOR
18	WE2M154	SCREW
19	WE14M75	BAFFLE DRUM

MOTOR AREA

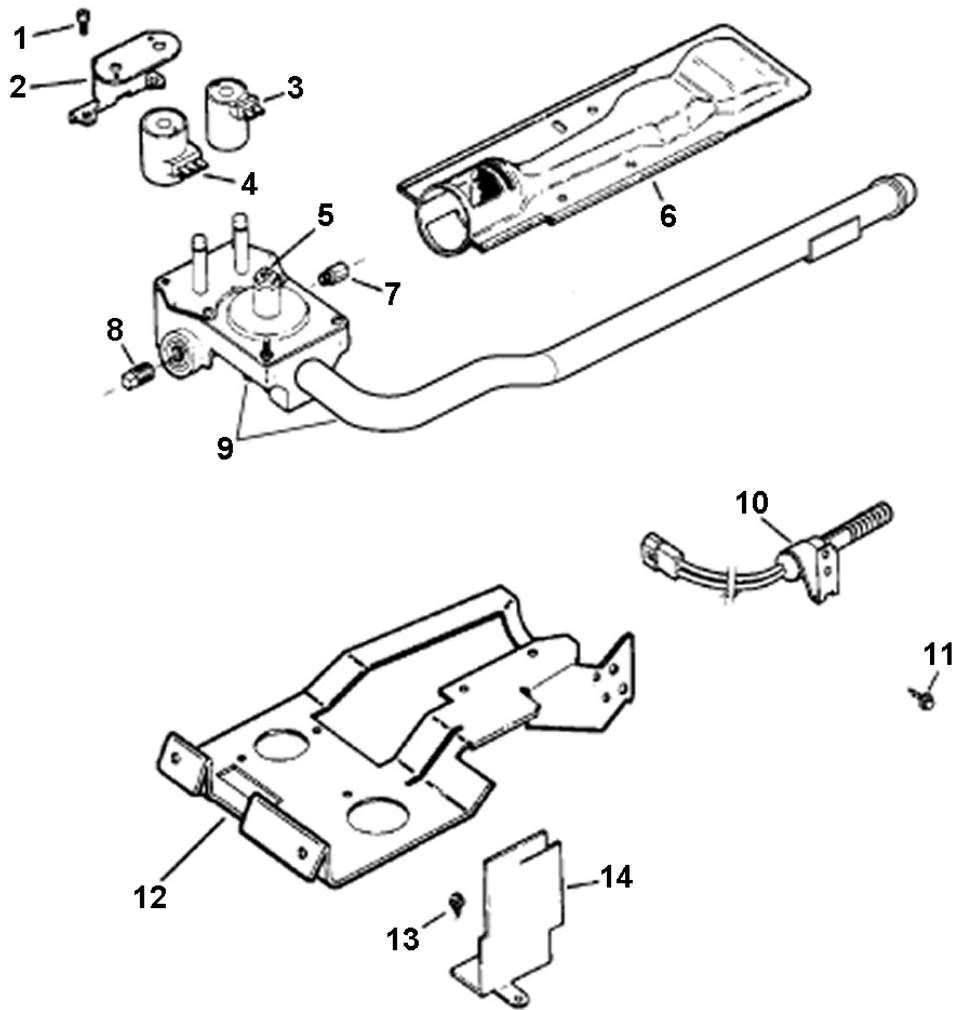


D-542

MOTOR AREA

REF	PART	DESCRIPTION
1	WE1X921	MOTOR BRACKET
2	WE13M39	MOTOR SUPPORT
NI	WE2M200	SCREW
3	WE2M154	SCREW
4	WE2M154	SCREW
5	WE13X182	STRAP MOTOR
6	WE14M90	EXHAUST PIPE
7	WE2M187	SCREW
8	WE2X263	SCREW
9	WE17M37	MOTOR THREADED SHAFT & PULLEY
10	WE12M29	BELT DRIVE
11	WE12M8	IDLER PULLEY
12	WE2M96	CAP NUT
13	WE3M25	IDLER ARM
14	WD21X557	SWITCH INTERLOCK
15	WE2M167	SCREW
16	WE13M35	MOTOR PLATE
NI	WD2M174	ABSORBER-FOAM
NI	WE2M176	WASHER DAMPENING
17	WE2M202	SCREW
18	WE2M209	SCREW #10
19	WE16M17	BLOWER WHEEL W/INSERT
20	WE4M216	THERMOSTAT
21	WE14M93	BLOWER HOUSING
NI	WE1M473	GASKET SEAL
NI	WE1M573	GASKET (SEAL)
22	WE1M650	CONNECTOR MOTOR

GAS BURNER AREA



GAS BURNER AREA

REF	PART	DESCRIPTION
1	WE2X333	SCREW (COIL MTG BRKT)
2	WE13X169	BRACKET COIL
3	WE4X693	COIL MAIN
4	WE4X692	COIL DUAL
5	WE1X1076	LEAK LIMITER
6	WE14M104	BURNER GAS ASSY
NI	WD2M101	SCREW
7	WE1X1148	ORIFICE
8	1/8-27 NPT	PLUG PIPE (NOT STOCKED)
9	WE14M114	GAS VALVE & PIPE ASSY
10	WE4X739	IGNITOR ASSY
11	WD2M101	SCREW
12	WE13X195	VALVE SUPPORT PLATE
13	WE2X263	SCREW
14	WE13X118	BRACKET SPACER

WIRING DIAGRAM

